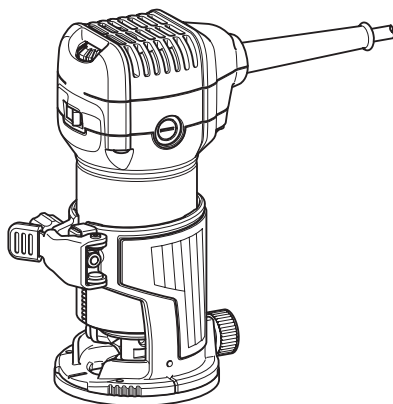


INSTRUCTION MANUAL  
MANUEL D'INSTRUCTION  
MANUAL DE INSTRUCCIONES



# Trimmer Affleureuse Recortadora

RT0700C  
RT0701C



DOUBLE INSULATION  
DOUBLE ISOLATION  
DOBLE AISLAMIENTO

**IMPORTANT:** Read Before Using.  
**IMPORTANT :** Lire avant usage.  
**IMPORTANTE:** Lea antes de usar.

# SPECIFICATIONS

Model	RT0700C / RT0701C
Collet chuck capacity	1/4", 3/8"
No load speed (RPM)	10,000 - 30,000 /min
Overall length	200 mm (7-7/8")
Net weight	1.8 (3.9 lbs)

- Due to our continuing program of research and development, the specifications herein are subject to change without notice.
- Specifications may differ from country to country.
- Weight according to EPTA-Procedure 01/2003

## General Power Tool Safety Warnings

**⚠ WARNING** Read all safety warnings and all instructions. Failure to follow the warnings and instructions may result in electric shock, fire and/or serious injury.

### Save all warnings and instructions for future reference.

The term "power tool" in the warnings refers to your mains-operated (corded) power tool or battery-operated (cordless) power tool.

#### Work area safety

1. **Keep work area clean and well lit.** Cluttered or dark areas invite accidents.
2. **Do not operate power tools in explosive atmospheres, such as in the presence of flammable liquids, gases or dust.** Power tools create sparks which may ignite the dust or fumes.
3. **Keep children and bystanders away while operating a power tool.** Distractions can cause you to lose control.

#### Electrical safety

4. **Power tool plugs must match the outlet. Never modify the plug in any way. Do not use any adapter plugs with earthed (grounded) power tools.** Unmodified plugs and matching outlets will reduce risk of electric shock.
5. **Avoid body contact with earthed or grounded surfaces such as pipes, radiators, ranges and refrigerators.** There is an increased risk of electric shock if your body is earthed or grounded.
6. **Do not expose power tools to rain or wet conditions.** Water entering a power tool will increase the risk of electric shock.
7. **Do not abuse the cord. Never use the cord for carrying, pulling or unplugging the power tool. Keep cord away from heat, oil, sharp edges or moving parts.** Damaged or entangled cords increase the risk of electric shock.
8. **When operating a power tool outdoors, use an extension cord suitable for outdoor use.** Use of a cord suitable for outdoor use reduces the risk of electric shock.
9. **If operating a power tool in a damp location is unavoidable, use a ground fault circuit interrupter (GFCI) protected supply.** Use of an GFCI reduces the risk of electric shock.

#### Personal safety

10. **Stay alert, watch what you are doing and use common sense when operating a power tool. Do not use a power tool while you are tired or under the influence of drugs, alcohol or medication.** A moment of inattention while operating power tools may result in serious personal injury.
11. **Use personal protective equipment. Always wear eye protection.** Protective equipment such as dust mask, non-skid safety shoes, hard hat, or hearing protection used for appropriate conditions will reduce personal injuries.
12. **Prevent unintentional starting. Ensure the switch is in the off-position before connecting to power source and/or battery pack, picking up or carrying the tool.** Carrying power tools with your finger on the switch or energising power tools that have the switch on invites accidents.
13. **Remove any adjusting key or wrench before turning the power tool on.** A wrench or a key left attached to a rotating part of the power tool may result in personal injury.
14. **Do not overreach. Keep proper footing and balance at all times.** This enables better control of the power tool in unexpected situations.
15. **Dress properly. Do not wear loose clothing or jewellery. Keep your hair, clothing, and gloves away from moving parts.** Loose clothes, jewellery or long hair can be caught in moving parts.
16. **If devices are provided for the connection of dust extraction and collection facilities, ensure these are connected and properly used.** Use of dust collection can reduce dust-related hazards.

#### Power tool use and care

17. **Do not force the power tool. Use the correct power tool for your application.** The correct power tool will do the job better and safer at the rate for which it was designed.
18. **Do not use the power tool if the switch does not turn it on and off.** Any power tool that cannot be controlled with the switch is dangerous and must be repaired.
19. **Disconnect the plug from the power source and/or the battery pack from the power tool before making any adjustments, changing accessories, or storing power tools.** Such preventive safety measures reduce the risk of starting the power tool accidentally.

20. **Store idle power tools out of the reach of children and do not allow persons unfamiliar with the power tool or these instructions to operate the power tool.** Power tools are dangerous in the hands of untrained users.
21. **Maintain power tools. Check for misalignment or binding of moving parts, breakage of parts and any other condition that may affect the power tool's operation. If damaged, have the power tool repaired before use.** Many accidents are caused by poorly maintained power tools.
22. **Keep cutting tools sharp and clean.** Properly maintained cutting tools with sharp cutting edges are less likely to bind and are easier to control.
23. **Use the power tool, accessories and tool bits etc. in accordance with these instructions, taking into account the working conditions and the work to be performed.** Use of the power tool for operations different from those intended could result in a hazardous situation.

## Service

24. **Have your power tool serviced by a qualified repair person using only identical replacement parts.** This will ensure that the safety of the power tool is maintained.
25. **Follow instruction for lubricating and changing accessories.**
26. **Keep handles dry, clean and free from oil and grease.**

**USE PROPER EXTENSION CORD.** Make sure your extension cord is in good condition. When using an extension cord, be sure to use one heavy enough to carry the current your product will draw. An undersized cord will cause a drop in line voltage resulting in loss of power and overheating. Table 1 shows the correct size to use depending on cord length and nameplate ampere rating. If in doubt, use the next heavier gage. The smaller the gage number, the heavier the cord.

Table 1: Minimum gage for cord

Ampere Rating		Volts	Total length of cord in feet			
		120V	25 ft.	50 ft.	100 ft.	150 ft.
		220V - 240V	50 ft.	100 ft.	200 ft.	300 ft.
More Than	Not More Than	AWG				
0	6	/	18	16	16	14
6	10		18	16	14	12
10	12		16	16	14	12
12	16		14	12	Not Recommended	

## TRIMMER SAFETY WARNINGS

1. **Hold power tool by insulated gripping surfaces, because the cutter may contact its own cord.** Cutting a "live" wire may make exposed metal parts of the power tool "live" and shock the operator.
2. **Use clamps or another practical way to secure and support the workpiece to a stable platform.** Holding the work by your hand or against the body leaves it unstable and may lead to loss of control.
3. **Wear hearing protection during extended period of operation.**
4. **Handle the bits very carefully.**
5. **Check the bit carefully for cracks or damage before operation. Replace cracked or damaged bit immediately.**
6. **Avoid cutting nails. Inspect for and remove all nails from the workpiece before operation.**
7. **Hold the tool firmly.**
8. **Keep hands away from rotating parts.**
9. **Make sure the bit is not contacting the workpiece before the switch is turned on.**
10. **Before using the tool on an actual workpiece, let it run for a while. Watch for vibration or wobbling that could indicate improperly installed bit.**
11. **Be careful of the bit rotating direction and the feed direction.**
12. **Do not leave the tool running. Operate the tool only when hand-held.**



13. **Always switch off and wait for the bit to come to a complete stop before removing the tool from workpiece.**
14. **Do not touch the bit immediately after operation; it may be extremely hot and could burn your skin.**
15. **Do not smear the tool base carelessly with thinner, gasoline, oil or the like. They may cause cracks in the tool base.**
16. **Use bits of the correct shank diameter suitable for the speed of the tool.**
17. **Some material contains chemicals which may be toxic. Take caution to prevent dust inhalation and skin contact. Follow material supplier safety data.**
18. **Always use the correct dust mask/respirator for the material and application you are working with.**

## SAVE THESE INSTRUCTIONS.

**⚠WARNING: DO NOT** let comfort or familiarity with product (gained from repeated use) replace strict adherence to safety rules for the subject product. **MISUSE** or failure to follow the safety rules stated in this instruction manual may cause serious personal injury.

## Symbols

The followings show the symbols used for tool.

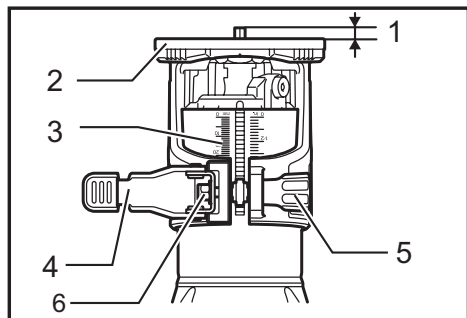
V	volts
A	amperes
Hz	hertz
	alternating current
n <sub>0</sub>	no load speed
	Class II Construction
... /min	revolutions or reciprocation per minute
r/min	

## FUNCTIONAL DESCRIPTION

### CAUTION:

- Always be sure that the tool is switched off and unplugged before adjusting or checking function on the tool.

## Adjusting bit protrusion



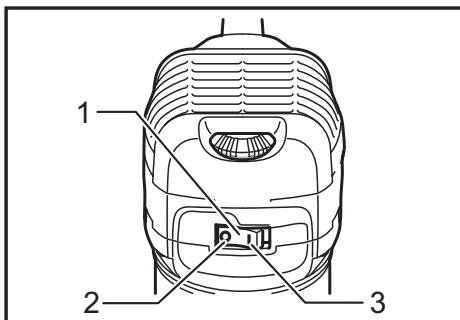
- 1. Bit protrusion 2. Tool base 3. Scale 4. Locking lever 5. Adjusting screw 6. Hex nut

To adjust the bit protrusion, loosen the locking lever and move the tool base up or down as desired by turning the adjusting screw. After adjusting, tighten the locking lever firmly to secure the tool base.

### NOTE:

- When the tool is not secured even if the locking lever is tightened, tighten the hex nut and then tighten the locking lever.

## Switch action



- 1. Switch 2. OFF (O) side 3. ON (I) side

### CAUTION:

- Before plugging in the tool, always check to see that the tool is switched off.

To start the tool, press the "ON (I)" side of the switch. To stop the tool, press the "OFF (O)" side of the switch.

## Electronic function

The tool equipped with electronic function are easy to operate because of the following features.

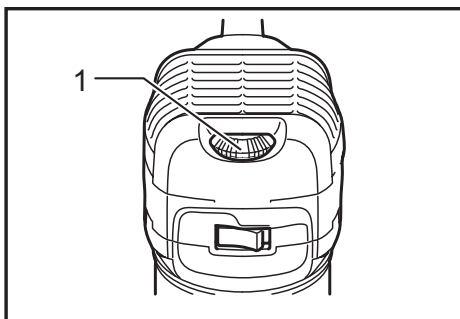
### Constant speed control

Electronic speed control for obtaining constant speed. Possible to get fine finish, because the rotating speed is kept constant even under load condition.

### Soft start

Soft-start feature minimizes start-up shock, and makes the tool start smoothly.

## Speed adjusting dial



- 1. Speed adjusting dial

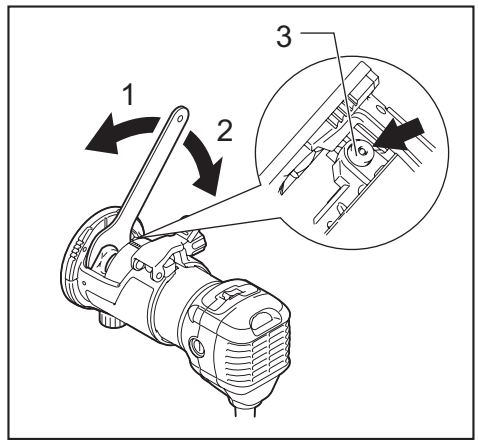
The tool speed can be changed by turning the speed adjusting dial to a given number setting from 1 to 6. Higher speed is obtained when the dial is turned in the direction of number 6. And lower speed is obtained when it is turned in the direction of number 1. This allows the ideal speed to be selected for optimum material processing, i.e. the speed can be correctly

adjusted to suit the material and bit diameter.  
Refer to the table for the relationship between the number settings on the dial and the approximate tool speed.

Number	min <sup>-1</sup>
1	10,000
2	12,000
3	17,000
4	22,000
5	27,000
6	30,000

**CAUTION:**

- If the tool is operated continuously at low speeds for a long time, the motor will get overloaded, resulting in tool malfunction.
- The speed adjusting dial can be turned only as far as 6 and back to 1. Do not force it past 6 or 1, or the speed adjusting function may no longer work.



► 1. Tighten 2. Loosen 3. Shaft lock

**CAUTION:**

- Do not tighten the collet nut without inserting a bit, or the collet cone will break.
- Use only the wrenches provided with the tool.

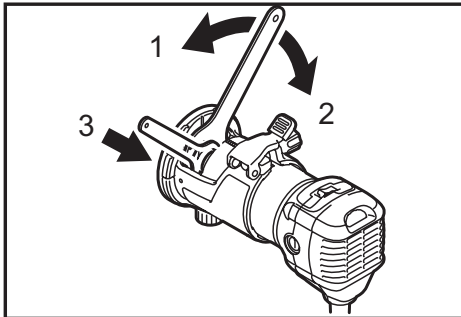
Insert the bit all the way into the collet cone and tighten the collet nut securely with the two wrenches or by pressing the shaft lock and using the provided wrench. To remove the bit, follow the installation procedure in reverse.

## ASSEMBLY

**CAUTION:**

- Always be sure that the tool is switched off and unplugged before carrying out any work on the tool.

### Installing or removing trimmer bit

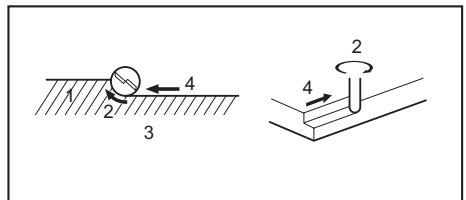


► 1. Tighten 2. Loosen 3. Hold

## OPERATION

### For the trimmer base

Set the tool base on the workpiece to be cut without the bit making any contact. Then turn the tool on and wait until the bit attains full speed. Move the tool forward over the workpiece surface, keeping the tool base flush and advancing smoothly until the cutting is complete. When doing edge cutting, the workpiece surface should be on the left side of the bit in the feed direction.



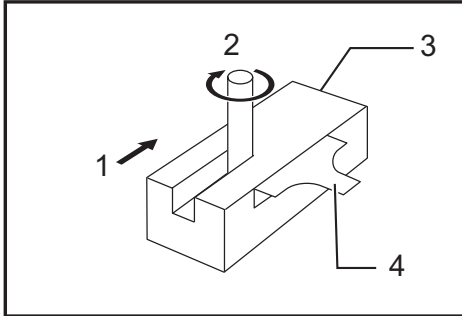
► 1. Workpiece 2. Bit revolving direction 3. View from the top of the tool 4. Feed direction

**CAUTION:**

- Since excessive cutting may cause overload of the motor or difficulty in controlling the tool, the depth of cut should not be more than 3 mm (1/8") at a pass when cutting grooves. When you wish to cut grooves more than 3 mm (1/8") deep, make several passes with progressively deeper bit settings.

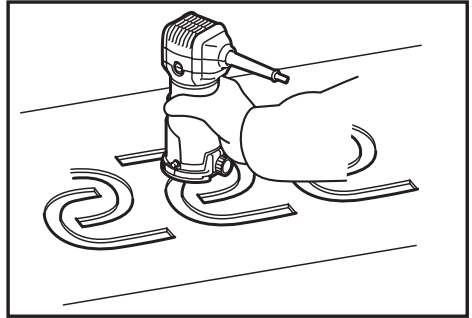
**NOTE:**

- Moving the tool forward too fast may cause a poor quality of cut, or damage to the bit or motor. Moving the tool forward too slowly may burn and mar the cut. The proper feed rate will depend on the bit size, the kind of workpiece and depth of cut. Before beginning the cut on the actual workpiece, it is advisable to make a sample cut on a piece of scrap lumber. This will show exactly how the cut will look as well as enable you to check dimensions.
- When using the trimmer shoe, the straight guide or the trimmer guide, be sure to keep it on the right side in the feed direction. This will help to keep it flush with the side of the workpiece.

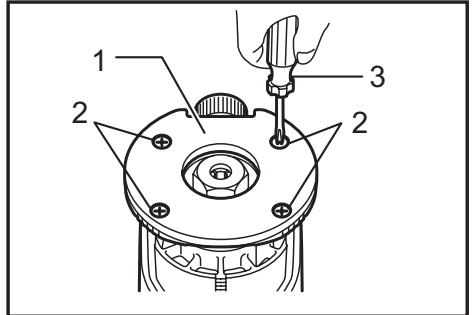


- 1. Feed direction 2. Bit revolving direction  
3. Workpiece 4. Straight guide

**Templet guide (optional accessory)**



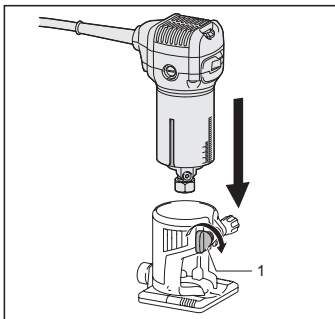
The templet guide provides a sleeve through which the bit passes, allowing use of the trimmer with templet patterns. Loosen the screws and remove the base protector. Place the templet guide on the base and replace the base protector. Then secure the base protector by tightening the screws.



- 1. Base protector 2. Screws 3. Screwdriver

**Trimmer base (resin) (optional accessory)**

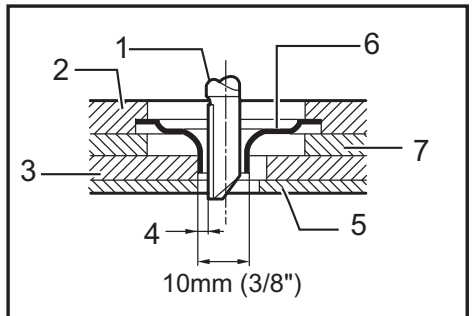
You can use the trimmer base (resin) as an optional accessory as shown in the figure.



- 1. Thumb nut

Place the tool onto the trimmer base (resin) and tighten the thumb nut at the desired protrusion of the bit. For the operation procedures, refer to the operation for the trimmer base.

Secure the templet to the workpiece. Place the tool on the templet and move the tool with the templet guide sliding along the side of the templet.



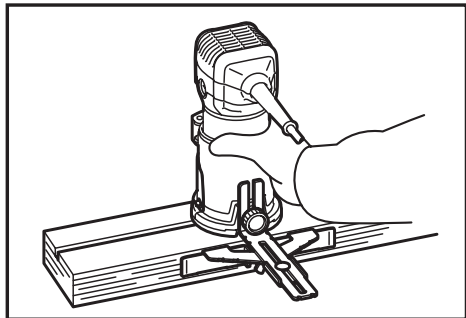
- 1. Straight bit 2. Base 3. Templet 4. Distance (X)  
5. Workpiece 6. Templet guide 10 7. Base protector

**NOTE:**

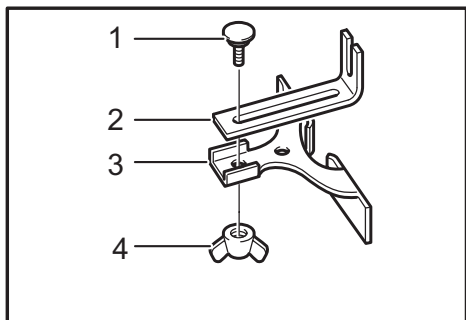
- The workpiece will be cut a slightly different size from the templet. Allow for the distance (X) between the router bit and the outside of the templet guide. The distance (X) can be calculated by using the following equation:

Distance (X) = (outside diameter of the templet guide - router bit diameter) / 2

## Straight guide (optional accessory)

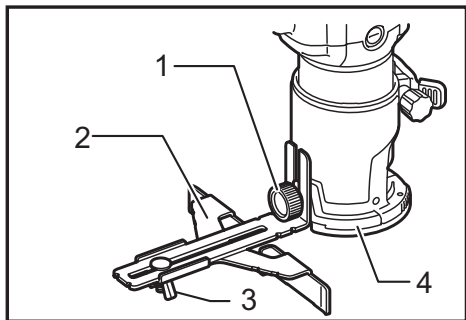


The straight guide is effectively used for straight cuts when chamfering or grooving. Attach the guide plate to the straight guide with the bolt and the wing nut.



► 1. Bolt 2. Guide plate 3. Straight guide 4. Wing nut

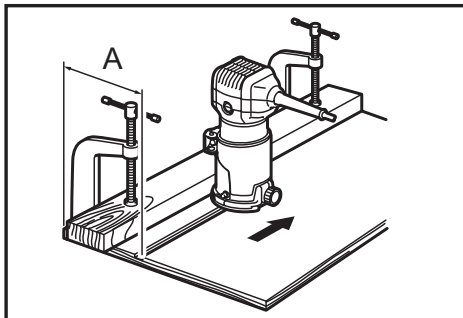
Attach the straight guide with the clamp screw (A). Loosen the wing nut on the straight guide and adjust the distance between the bit and the straight guide. At the desired distance, tighten the wing nut securely.



► 1. Clamp screw (A) 2. Straight guide 3. Wing nut 4. Base

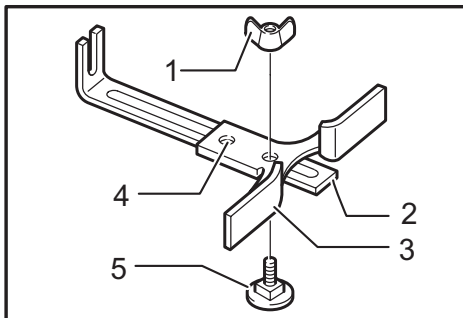
When cutting, move the tool with the straight guide flush with the side of the workpiece.

If the distance (A) between the side of the workpiece and the cutting position is too wide for the straight guide, or if the side of the workpiece is not straight, the straight guide cannot be used. In this case, firmly clamp a straight board to the workpiece and use it as a guide against the trimmer base. Feed the tool in the direction of the arrow.



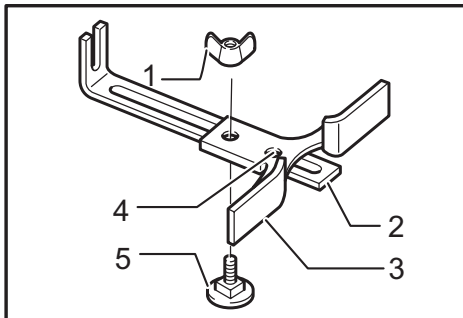
## Circular work

Circular work may be accomplished if you assemble the straight guide and guide plate as shown in the figures. Min. and max. radius of circles to be cut (distance between the center of circle and the center of bit) are as follows:  
Min.: 70 mm (2-3/4")  
Max.: 221 mm (8-11/16")  
For cutting circles between 70 mm (2-3/4") and 121 mm (4-3/4") in radius.



► 1. Wing nut 2. Guide plate 3. Straight guide 4. Center hole 5. Bolt

For cutting circles between 121 mm (4-3/4") and 221 mm (8-11/16") in radius.

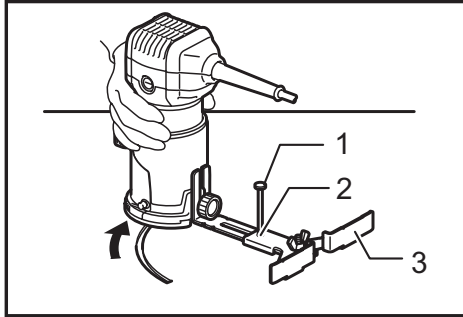


► 1. Wing nut 2. Guide plate 3. Straight guide 4. Center hole 5. Bolt

**NOTE:**

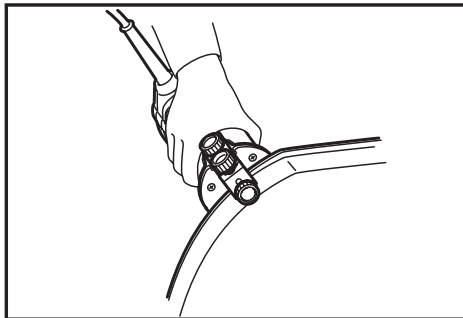
- Circles between 172 mm (6-3/4") and 186 mm (7-5/16") in radius cannot be cut using this guide.

Align the center hole in the straight guide with the center of the circle to be cut. Drive a nail less than 6 mm (1/4") in diameter into the center hole to secure the straight guide. Pivot the tool around the nail in clockwise direction.

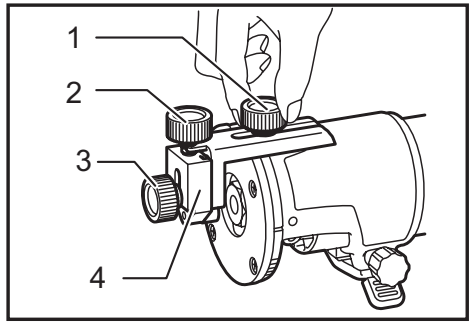


► 1. Nail 2. Center hole 3. Straight guide

### Trimmer guide (optional accessory)

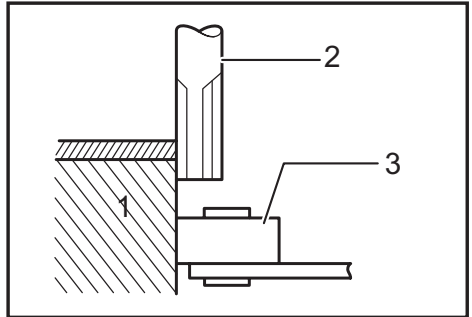


Trimming, curved cuts in veneers for furniture and the like can be done easily with the trimmer guide. The guide roller rides the curve and assures a fine cut. Install the trimmer guide on the tool base with the clamp screw (A). Loosen the clamp screw (B) and adjust the distance between the bit and the trimmer guide by turning the adjusting screw (1 mm (3/64") per turn). At the desired distance, tighten the clamp screw (B) to secure the trimmer guide in place.



► 1. Clamp screw (A) 2. Adjusting screw 3. Clamp screw (B) 4. Trimmer guide

When cutting, move the tool with the guide roller riding the side of the workpiece.

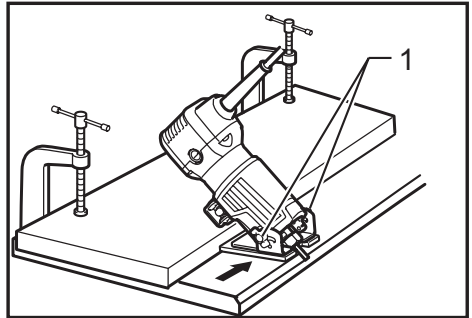


► 1. Workpiece 2. Bit 3. Guide roller

### Tilt base (optional accessory)

Tilt base (optional accessory) is convenient for chamfering.

Place the tool onto the tilt base and close the locking lever at the desired protrusion of the bit. For desired angle, tighten the clamping screws on its sides.



► 1. Clamping screws

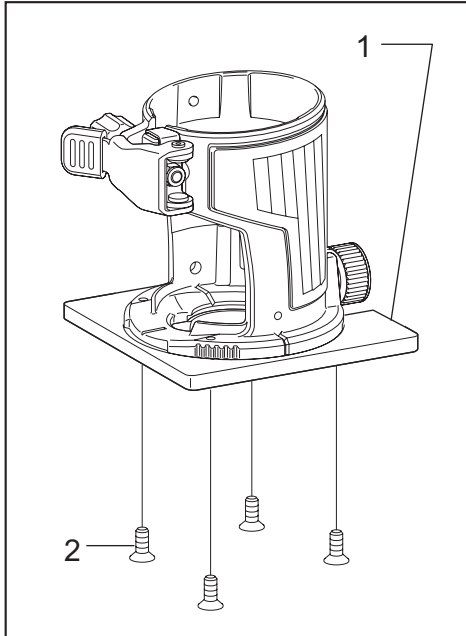
Firmly clamp a straight board to the workpiece and use it as a guide against the tilt base. Feed the tool in the direction of the arrow.



## Base protector removed from the tilt base (optional accessory)

Mounting the base protector which has been removed from the tilt base on the trimmer base allows the change of the trimmer base from the round base to a square base.

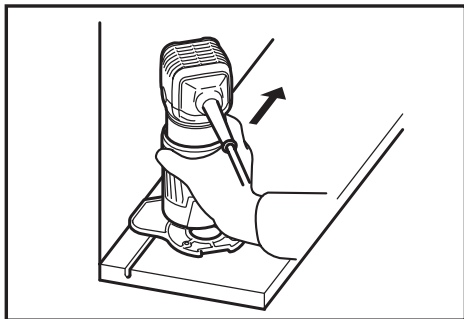
For another application, remove the base protector from the tilt base by loosening and removing four screws.



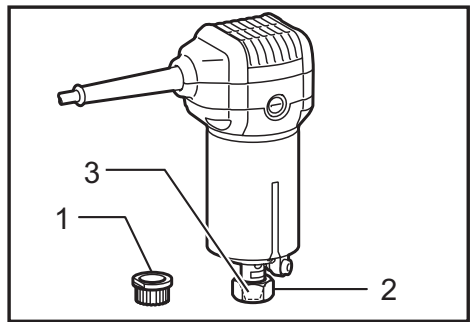
► 1. Base protector 2. Screw

And then mount the base protector on the trimmer base.

## Offset base (optional accessory)

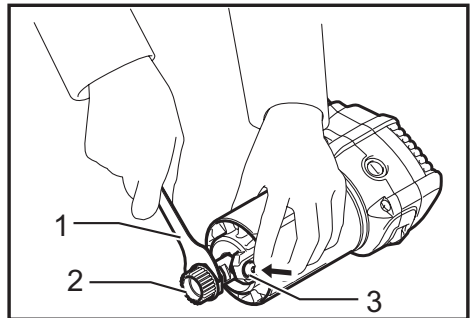


(1) Offset base (optional accessory) is convenient for work in a tight area such as a corner.



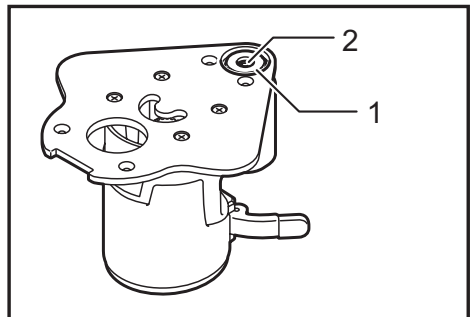
► 1. Wrench 2. Collet nut 3. Collet cone

Before installing the tool on the offset base, remove the collet nut and collet cone by loosening the collet nut.



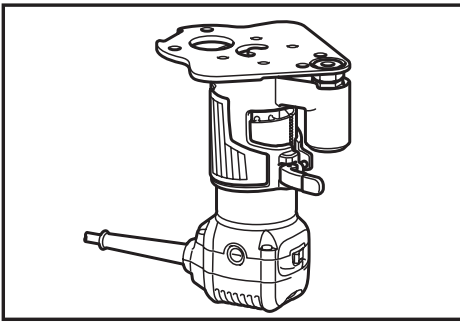
► 1. Wrench 2. Pulley 3. Shaft lock

Install the pulley on the tool by pressing the shaft lock and firmly tightening the pulley with a wrench.

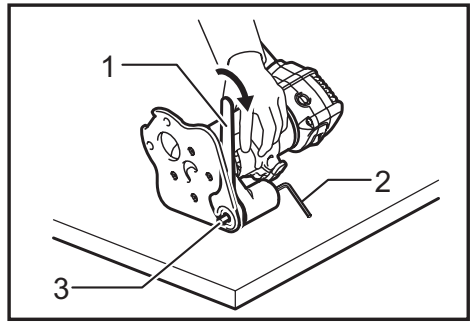


► 1. Collet nut 2. Collet cone

Place the collet cone and screw the collet nut on the offset base as shown in the figure.



Mount the tool on the offset base



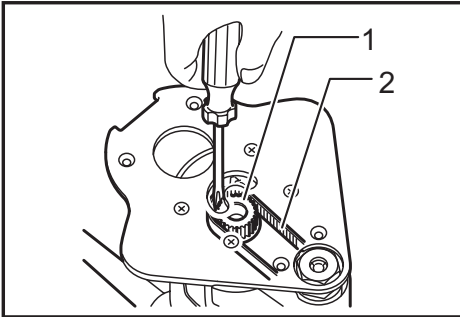
► 1. Wrench 2. Hex wrench 3. Bit

To install the bit, fall the tool with the offset base on its side. Insert the hex wrench into the hole in the offset base.

With the hex wrench held in that position, insert the bit into the collet cone on the shaft of the offset base from the opposite side and tighten the collet nut firmly with a wrench.

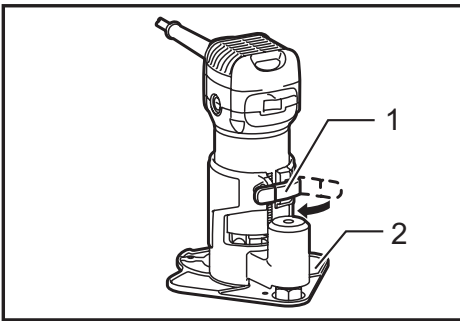
To remove the bit at replacement, follow the installation procedure in reverse.

- (2) Offset base (optional accessory) can also be used with a trimmer base and a grip attachment (optional accessory) for more stability.



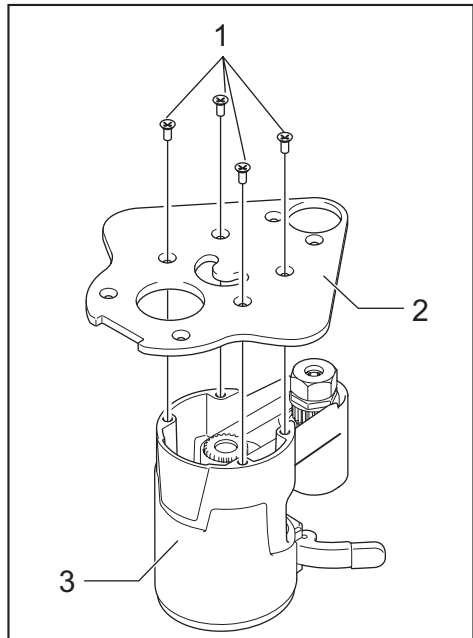
► 1. Pulley 2. Belt

Put an end of the belt over the pulley using a screwdriver and make sure that its entire belt width fits over the pulley completely.



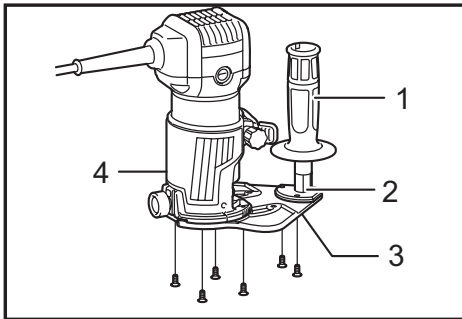
► 1. Locking lever 2. Offset base

Secure it with a locking lever on the offset base.



► 1. Screws 2. Offset base plate 3. Upper section of the offset base

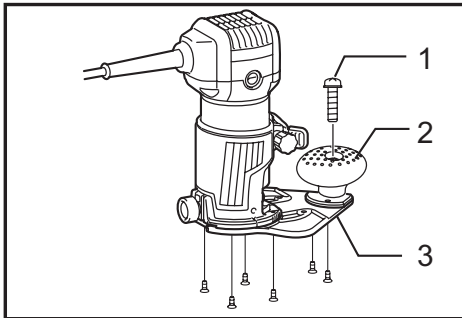
Loosen the screws and remove the upper section from the offset base. Put aside the upper section of the offset base.



- 1. Bar type grip (optional accessory) 2. Grip attachment (optional accessory) 3. Offset base plate  
4. Trimmer base assembly (optional accessory)

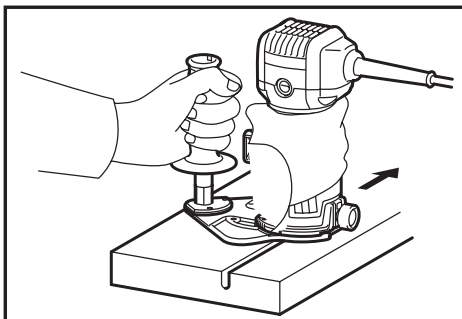
Mount the trimmer base with four screws and the grip attachment (optional accessory) with two screws on the offset base plate.

Screw a bar type grip (optional accessory) onto the grip attachment.



- 1. Screw 2. Knob type grip 3. Offset base plate

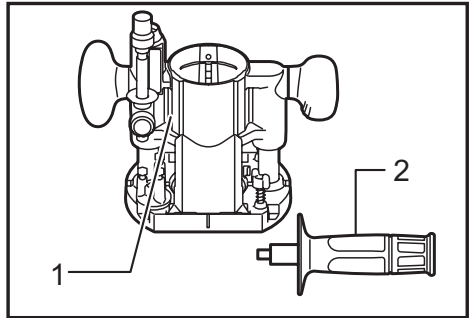
In another way of use, the knob type grip which is removed from a plunge base (optional accessory) can be installed on the grip attachment. To install the knob type grip, place it on the grip attachment and secure it with a screw.



## When using as a router only with a plunge base (optional accessory)

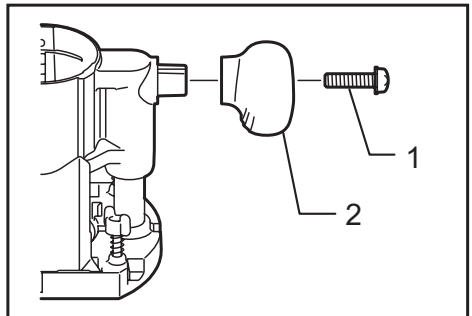
### ⚠ CAUTION:

- When using as a router, hold the tool firmly with both hands.



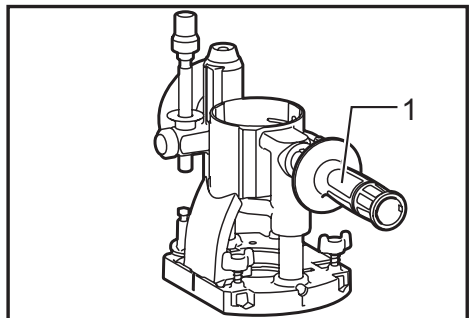
- 1. Plunge base 2. Grip

To use the tool as a router, install the tool on a plunge base (optional accessory) by pressing it down fully. Either knob type grip or bar type grip (optional accessory) can be used according to your work.



- 1. Screw 2. Knob

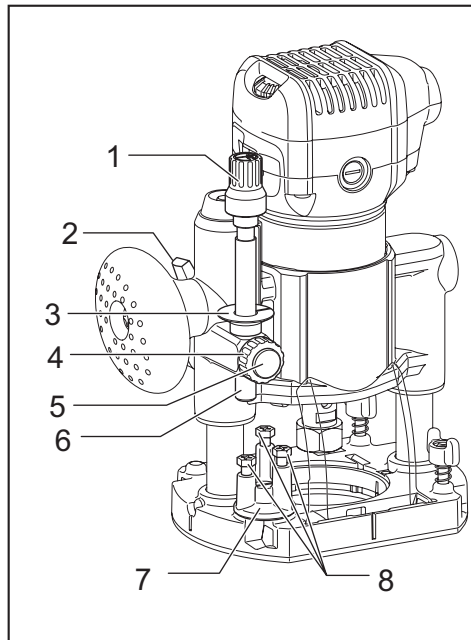
To use the bar type grip (optional accessory), loosen the screw and remove the knob type grip.



- 1. Bar type grip (optional accessory)

And then screw the bar type grip on the base.

## Adjusting the depth of cut when using the plunge base (optional accessory)



- ▶ 1. Adjusting knob 2. Lock lever 3. Depth pointer
- 4. Stopper pole setting nut 5. Fast-feed button
- 6. Stopper pole 7. Stopper block 8. Adjusting bolt

Place the tool on a flat surface. Loosen the lock lever and lower the tool body until the bit just touches the flat surface. Tighten the lock lever to lock the tool body. Turn the stopper pole setting nut counterclockwise. Lower the stopper pole until it makes contact with the adjusting bolt. Align the depth pointer with the "0" graduation. The depth of cut is indicated on the scale by the depth pointer.

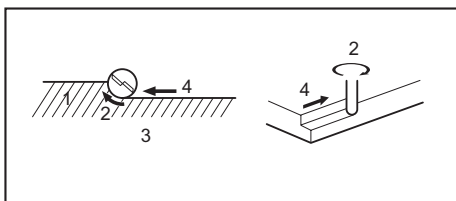
While pressing the fast-feed button, raise the stopper pole until the desired depth of cut is obtained. Minute depth adjustments can be obtained by turning the adjusting knob (1 mm per turn).

By turning the stopper pole setting nut clockwise, you can fasten the stopper pole firmly.

Now, your predetermined depth of cut can be obtained by loosening the lock lever and then lowering the tool body until the stopper pole makes contact with the adjusting hex bolt of the stopper block.

Always firmly hold the tool by both grip during operation. Set the tool base on the workpiece to be cut without the bit making any contact. Then turn the tool on and wait until the bit attains full speed. Lower the tool body and move the tool forward over the workpiece surface, keeping the tool base flush and advancing smoothly until the cutting is complete.

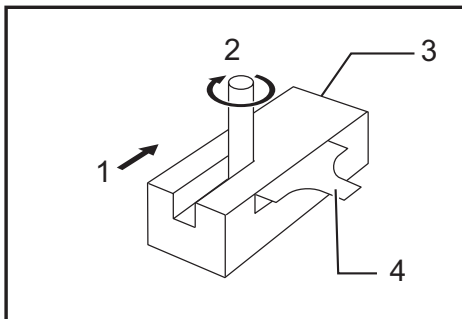
When doing edge cutting, the workpiece surface should be on the left side of the bit in the feed direction.



- ▶ 1. Workpiece 2. Bit revolving direction 3. View from the top of the tool 4. Feed direction

### NOTE:

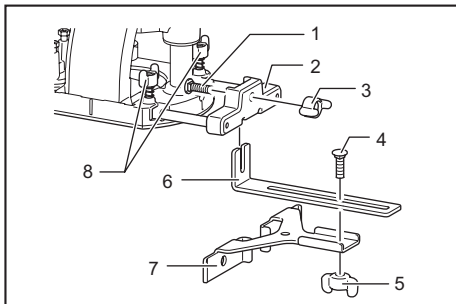
- Moving the tool forward too fast may cause a poor quality of cut, or damage to the bit or motor. Moving the tool forward too slowly may burn and mar the cut. The proper feed rate will depend on the bit size, the kind of workpiece and depth of cut. Before beginning the cut on the actual workpiece, it is advisable to make a sample cut on a piece of scrap lumber. This will show exactly how the cut will look as well as enable you to check dimensions.
- When using the straight guide, be sure to install it on the right side in the feed direction. This will help to keep it flush with the side of the workpiece.



- ▶ 1. Feed direction 2. Bit revolving direction
- 3. Workpiece 4. Straight guide

## Straight guide when using as a router (needed to use with guide holder (optional accessory))

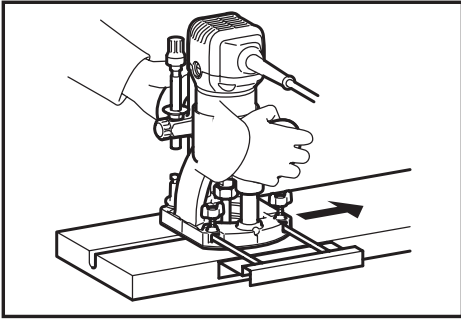
The straight guide is effectively used for straight cuts when chamfering or grooving.



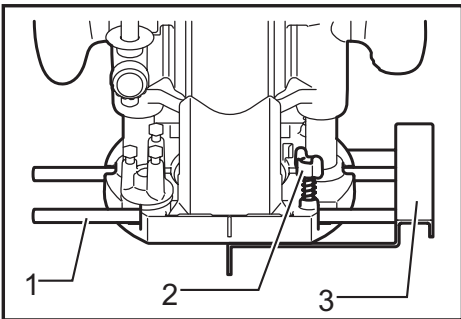
- ▶ 1. Bolt 2. Guide holder 3. Wing nut 4. Bolt 5. Wing nut 6. Guide plate 7. Straight guide 8. Wing bolts

Install the straight guide on the guide holder (optional accessory) with the wing nut. Insert the guide holder into the holes in the plunge base and tighten the wing bolts. To adjust the distance between the bit and the straight guide, loosen the wing nut. At the desired distance, tighten the wing nut to secure the straight guide in place.

### Straight guide (optional accessory)

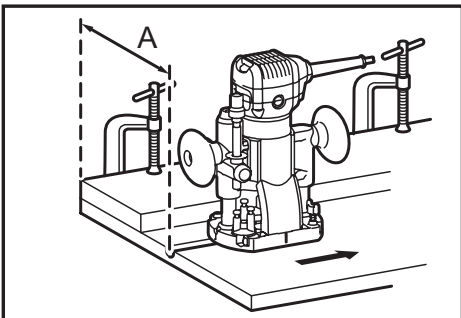


The straight guide is effectively used for straight cuts when chamfering or grooving.



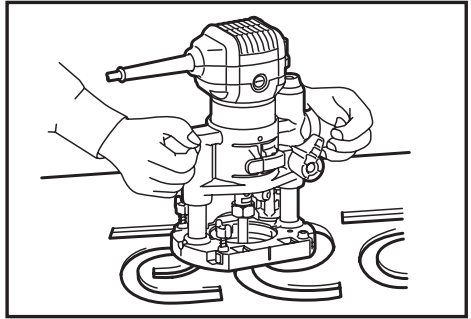
► 1. Guide bar 2. Wing bolt 3. Straight guide

To install the straight guide, insert the guide bars into the holes in the plunge base. Adjust the distance between the bit and the straight guide. At the desired distance, tighten the wing bolts to secure the straight guide in place. When cutting, move the tool with the straight guide flush with the side of the workpiece.

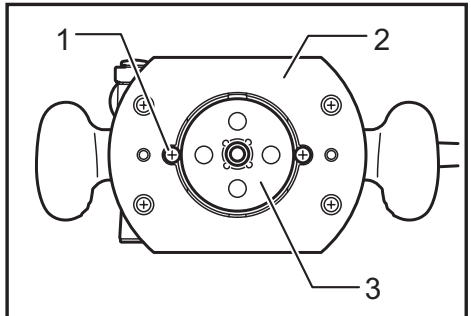


If the distance (A) between the side of the workpiece and the cutting position is too wide for the straight guide, or if the side of the workpiece is not straight, the straight guide cannot be used. In this case, firmly clamp a straight board to the workpiece and use it as a guide against the router base. Feed the tool in the direction of the arrow.

### Templet guide (optional accessory)

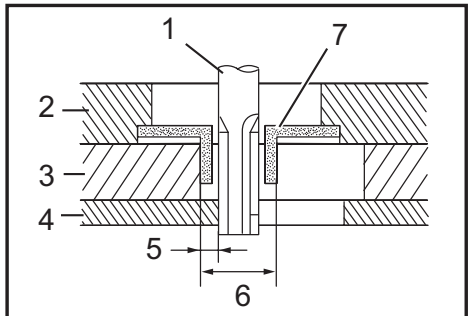


The templet guide provides a sleeve through which the bit passes, allowing use of the tool with templet patterns. To install the templet guide, loosen the screws on the tool base, insert the templet guide and then tighten the screws.



► 1. Screw 2. Base 3. Templet

Secure the templet to the workpiece. Place the tool on the templet and move the tool with the templet guide sliding along the side of the templet.



► 1. Bit 2. Base 3. Templet 4. Workpiece 5. Distance (X) 6. Outside diameter of the templet guide 7. Templet guide

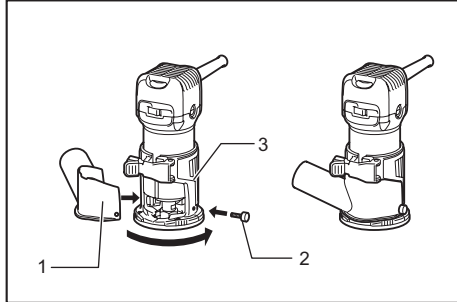
**NOTE:**

- The workpiece will be cut a slightly different size from the templet. Allow for the distance (X) between the bit and the outside of the templet guide. The distance (X) can be calculated by using the following equation:

Distance (X) = (outside diameter of the templet guide - bit diameter) / 2

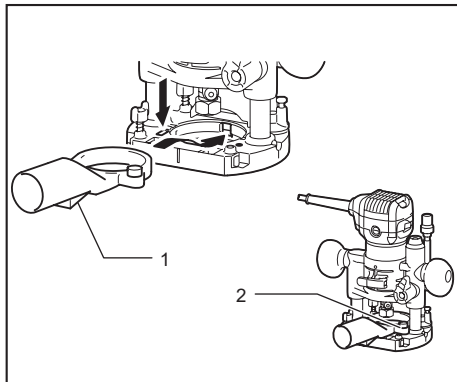
## Dust nozzle sets (optional accessory)

### For the trimmer base



- 1. Dust nozzle 2. Thumb screw 3. Trimmer base

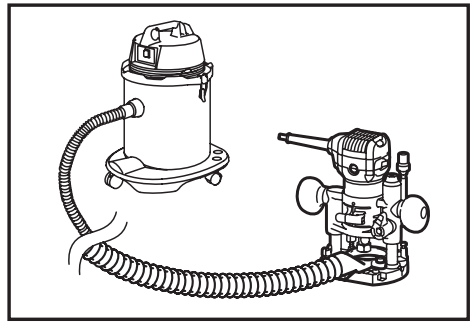
### For the plunge base



- 1. Dust nozzle 2. Thumb screw

Use the dust nozzle for dust extraction. Install the dust nozzle on the tool base using the thumb screw so that protrusion on the dust nozzle fit to the notch in the tool base.

Then connect a vacuum cleaner to the dust nozzle.

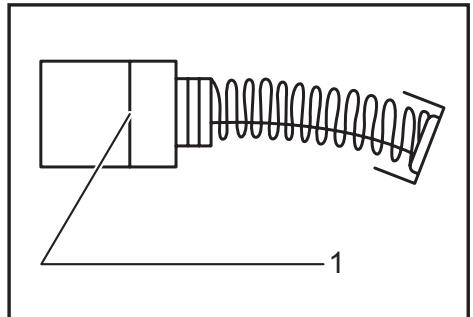


## MAINTENANCE

### ⚠ CAUTION:

- Always be sure that the tool is switched off and unplugged before attempting to perform inspection or maintenance.
- Never use gasoline, benzene, thinner, alcohol or the like. Discoloration, deformation or cracks may result.

### Replacing carbon brushes



- 1. Limit mark

Remove and check the carbon brushes regularly. Replace when they wear down to the limit mark. Keep the carbon brushes clean and free to slip in the holders. Both carbon brushes should be replaced at the same time. Use only identical carbon brushes. Use a screwdriver to remove the brush holder caps. Take out the worn carbon brushes, insert the new ones and secure the brush holder caps.

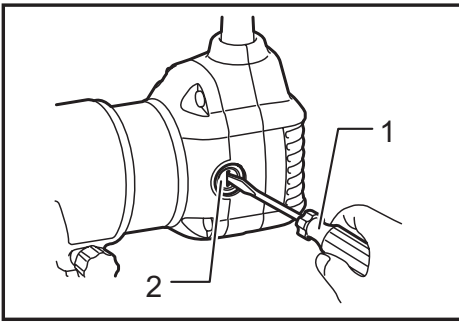
## MAKITA LIMITED WARRANTY

Please refer to the annexed warranty sheet for the most current warranty terms applicable to this product. If annexed warranty sheet is not available, refer to the warranty details set forth at below website for your respective country.

United States of America: [www.makitatools.com](http://www.makitatools.com)

Canada: [www.makita.ca](http://www.makita.ca)

Other countries: [www.makita.com](http://www.makita.com)



► 1. Screwdriver 2. Brush holder cap

To maintain product SAFETY and RELIABILITY, repairs, any other maintenance or adjustment should be performed by Makita Authorized or Factory Service Centers, always using Makita replacement parts.

## OPTIONAL ACCESSORIES

### ⚠ CAUTION:

- These accessories or attachments are recommended for use with your Makita tool specified in this manual. The use of any other accessories or attachments might present a risk of injury to persons. Only use accessory or attachment for its stated purpose.

If you need any assistance for more details regarding these accessories, ask your local Makita Service Center.

- Straight & groove forming bits
- Edge forming bits
- Laminate trimming bits
- Straight guide assembly
- Trimmer guide assembly
- Trimmer base assembly
- Trimmer base assembly (resin)
- Tilt base assembly
- Plunge base assembly
- Offset base assembly
- Templet guide
- Collet cone 1/4"
- Collet cone 3/8"
- Wrench 13
- Wrench 22
- Dust nozzle set

### NOTE:

- Some items in the list may be included in the tool package as standard accessories. They may differ from country to country.

## SPECIFICATIONS

Modèle	RT0700C / RT0701C
Capacité du mandrin à bague	1/4", 3/8"
Vitesse à vide (T/MIN)	10 000 - 30 000 /min
Longueur totale	200 mm (7-7/8")
Poids net	1,8 (3,9 lbs)

- Étant donné l'évolution constante de notre programme de recherche et de développement, les spécifications contenues dans ce manuel sont sujettes à modification sans préavis.
- Les spécifications peuvent varier suivant les pays.
- Poids conforme à la procédure EPTA du 01/2003

### Consignes de sécurité générales pour outils électriques

**⚠ MISE EN GARDE** Veuillez lire toutes les mises en garde de sécurité et toutes les instructions.

L'ignorance des mises en garde et des instructions comporte un risque de choc électrique, d'incendie et/ou de blessure grave.

### Conservez toutes les mises en garde et instructions pour référence future.

Le terme « outil électrique » qui figure dans les avertissements fait référence à un outil électrique branché sur une prise de courant (par un cordon d'alimentation) ou alimenté par batterie (sans fil).

#### Sécurité de la zone de travail

1. **Maintenez la zone de travail propre et bien éclairée.** Les zones de travail encombrées ou sombres ouvrent grande la porte aux accidents.
2. **N'utilisez pas les outils électriques dans les atmosphères explosives, par exemple en présence de liquides, gaz ou poussières inflammables.** Les outils électriques produisent des étincelles au contact desquelles la poussière ou les vapeurs peuvent s'enflammer.
3. **Assurez-vous qu'aucun enfant ou curieux ne s'approche pendant que vous utilisez un outil électrique.** Vous risquez de perdre la maîtrise de l'outil si votre attention est détournée.

#### Sécurité en matière d'électricité

4. **Les fiches d'outil électrique sont conçues pour s'adapter parfaitement aux prises de courant. Ne modifiez jamais la fiche de quelque façon que ce soit. N'utilisez aucun adaptateur de fiche sur les outils électriques avec mise à la terre.** En ne modifiant pas les fiches et en les insérant dans des prises de courant pour lesquelles elles ont été conçues vous réduirez les risques de choc électrique.
5. **Évitez tout contact corporel avec les surfaces mises à la terre, telles que les tuyaux, radiateurs, cuisinières et réfrigérateurs.** Le risque de choc électrique est plus élevé si votre corps se trouve mis à la terre.
6. **N'exposez pas les outils électriques à la pluie ou à l'eau.** La présence d'eau dans un outil électrique augmente le risque de choc électrique.

7. **Ne maltraitez pas le cordon. N'utilisez jamais le cordon pour transporter, tirer ou débrancher l'outil électrique. Maintenez le cordon à l'écart des sources de chaleur, de l'huile, des objets à bords tranchants et des pièces en mouvement.** Le risque de choc électrique est plus élevé lorsque les cordons sont endommagés ou enchevêtrés.
8. **Lorsque vous utilisez un outil électrique à l'extérieur, utilisez un cordon prolongateur prévu à cette fin.** Les risques de choc électrique sont moindres lorsqu'un cordon conçu pour l'extérieur est utilisé.
9. **Si vous devez utiliser un outil électrique dans un endroit humide, utilisez une source d'alimentation protégée par un disjoncteur de fuite à la terre.** L'utilisation d'un disjoncteur de fuite à la terre réduit le risque de choc électrique.

#### Sécurité personnelle

10. **Restez alerte, attentif à vos mouvements et faites preuve de bon sens lorsque vous utilisez un outil électrique. Évitez d'utiliser un outil électrique si vous êtes fatigué ou si vous avez pris une drogue, de l'alcool ou un médicament.** Un moment d'inattention pendant l'utilisation d'un outil électrique peut entraîner une grave blessure.
11. **Portez des dispositifs de protection personnelle. Portez toujours un protecteur pour la vue.** Les risques de blessure seront moins élevés si vous utilisez des dispositifs de protection tels qu'un masque antipoussières, des chaussures à semelle antidérapante, une coiffure résistante ou une protection d'oreilles.
12. **Évitez les démarrages accidentels. Assurez-vous que l'interrupteur soit en position d'arrêt avant de brancher l'outil à la prise électrique et/ou au bloc-piles, avant de prendre ou de transporter l'outil.** Vous ouvrez la porte aux accidents si vous transportez les outils électriques avec le doigt sur l'interrupteur ou si vous les branchez alors que l'interrupteur est en position de marche.
13. **Retirez toute clé de réglage ou de serrage avant de mettre l'outil sous tension.** Toute clé laissée en place sur une pièce rotative de l'outil électrique peut entraîner une blessure.
14. **Maintenez une bonne position. Assurez-vous d'une bonne prise au sol et d'une bonne position d'équilibre en tout temps.** Cela vous permettra d'avoir une meilleure maîtrise de l'outil dans les situations imprévues.



15. **Portez des vêtements adéquats. Ne portez ni vêtements amples ni bijoux. Vous devez maintenir cheveux, vêtements et gants à l'écart des pièces en mouvement.** Les pièces en mouvement peuvent happer les vêtements amples, les bijoux et les cheveux longs.
16. **Si des accessoires sont fournis pour raccorder un appareil d'aspiration et de collecte de la poussière, assurez-vous qu'ils sont correctement raccordés et qu'ils sont utilisés de manière adéquate.** L'utilisation d'un appareil d'aspiration permet de réduire les risques liés à la présence de poussière dans l'air.
21. **Veillez à l'entretien des outils électriques. Assurez-vous que les pièces mobiles ne sont pas désalignées ou coincées, qu'aucune pièce n'est cassée et que l'outil électrique n'a subi aucun dommage affectant son bon fonctionnement. Le cas échéant, faites réparer l'outil électrique avant de l'utiliser.** De nombreux accidents sont causés par des outils électriques mal entretenus.
22. **Maintenez les outils tranchants bien aiguisés et propres.** Un outil tranchant dont l'entretien est effectué correctement et dont les bords sont bien aiguisés risquera moins de se coincer et sera plus facile à maîtriser.
23. **Utilisez l'outil électrique, ses accessoires, ses embouts, etc., en respectant les présentes instructions, en tenant compte des conditions de travail et du type de travail à effectuer.** L'utilisation d'un outil électrique à des fins autres que celles prévues peut entraîner une situation dangereuse.

#### Utilisation et entretien des outils électriques

17. **Ne forcez pas l'outil électrique. Utilisez l'outil électrique adéquat suivant le type de travail à effectuer.** Si vous utilisez l'outil électrique adéquat et respectez le régime pour lequel il a été conçu, il effectuera un travail de meilleure qualité et de façon plus sécuritaire.
18. **N'utilisez pas l'outil électrique s'il n'est pas possible de mettre sa gâchette en position de marche et d'arrêt.** Un outil électrique dont l'interrupteur est défectueux représente un danger et doit être réparé.
19. **Débranchez la fiche de la source d'alimentation et/ou retirez le bloc-piles de l'outil électrique avant d'effectuer tout réglage, de changer un accessoire ou de ranger l'outil électrique.** De telles mesures préventives réduisent les risques de démarrage accidentel de l'outil électrique.
20. **Après l'utilisation d'un outil électrique, rangez-le hors de portée des enfants et ne laissez aucune personne l'utiliser si elle n'est pas familiarisée avec l'outil électrique ou les présentes instructions d'utilisation.** Les outils électriques représentent un danger entre les mains de personnes qui n'en connaissent pas le mode d'utilisation.

#### Réparation

24. **Faites réparer votre outil électrique par un réparateur qualifié qui utilise des pièces de rechange identiques aux pièces d'origine.** Le maintien de la sûreté de l'outil électrique sera ainsi assuré.
25. **Suivez les instructions de lubrification et de changement des accessoires.**
26. **Maintenez les poignées de l'outil sèches, propres et exemptes d'huile ou de graisse.**

**UTILISEZ UN CORDON PROLONGATEUR APPROPRIÉ.** Assurez-vous que votre cordon prolongateur est en bonne condition. Lorsque vous utilisez un cordon prolongateur, assurez-vous qu'il est assez robuste pour transporter le courant exigé par le produit. Un cordon qui est trop petit entraînera une baisse dans la tension composée, ce qui causera une perte d'énergie et un surchauffage. Le tableau 1 indique la dimension de cordon à utiliser, en fonction de la longueur du cordon et de l'intensité nominale figurant sur la plaque signalétique. En cas de doute, utilisez un cordon plus robuste. Plus le numéro de calibre est bas, plus le cordon est robuste.

Tableau 1. Gabarit minimum du cordon

Intensité nominale		Volts	Longueur totale du cordon en pieds			
		120V	25 pi	50 pi	100 pi	150 pi
		220V - 240V	50 pi	100 pi	200 pi	300 pi
Plus de	Pas plus de	Calibre américain des fils				
0	6	/	18	16	16	14
6	10		18	16	14	12
10	12		16	16	14	12
12	16		14	12	Non recommandé	

### CONSIGNES DE SÉCURITÉ POUR L'AFFLEUREUSE

1. **Tenez l'outil électrique par ses surfaces de prise isolées, car l'outil de coupe pourrait venir en contact avec son propre cordon.** En cas de contact avec un conducteur sous tension, les parties métalliques à découvert de l'outil deviendraient également sous tension et risqueraient de transmettre une décharge à l'utilisateur.

2. **Immobilisez le matériau sur une surface stable au moyen de brides ou de toute autre façon adéquate.** Le fait de tenir la pièce avec la main ou contre votre corps offre une stabilité insuffisante et peut entraîner une perte de maîtrise de l'outil.
3. **Portez une protection d'oreille lors des travaux de longue durée.**
4. **Maniez les fraises avec soin.**



5. Vérifiez bien l'absence de fissures ou de dommages sur la fraise avant l'utilisation. Remplacez immédiatement toute fraise fissurée ou endommagée.
6. Évitez les clous. Avant de travailler votre pièce, inspectez-la et retirez-en tous les clous.
7. Tenez l'outil fermement.
8. Gardez les mains éloignées des pièces en rotation.
9. Assurez-vous que la lame ne touche pas la pièce à travailler avant que le contact ne soit mis.
10. Avant de commencer à travailler, laissez tourner l'outil à vide un instant ; assurez-vous qu'il n'y a ni vibration ni ballottage, ce qui indiquerait une fraise mal fixée.
11. Vérifiez toujours le sens de rotation de la fraise et le sens de déplacement de l'outil.
12. N'abandonnez pas l'outil alors qu'il tourne. Ne faites fonctionner l'outil qu'une fois que vous l'avez bien en main.
13. Avant de retirer l'outil de la pièce, coupez toujours le contact et attendez que la fraise soit complètement arrêtée.
14. Ne touchez pas la fraise immédiatement après son arrêt ; elle peut être extrêmement chaude et pourrait vous brûler.
15. Veillez à maintenir la base de l'outil à l'écart des produits tels que du diluant, de l'essence ou de l'huile. Ils peuvent causer des fissures sur la base de l'outil.
16. Utilisez des fraises dont la queue présente un diamètre adéquat pour la vitesse de l'outil.
17. Certains matériaux contiennent des produits chimiques qui peuvent être toxiques. Prenez les précautions nécessaires pour éviter l'inhalation de ces poussières ou leur contact avec la peau. Conformez-vous aux consignes de sécurité du fournisseur du matériau.
18. Utilisez toujours un masque antipoussières ou un masque filtrant approprié au matériau à travailler et à l'outil utilisé.

## CONSERVEZ CE MODE D'EMPLOI.

**⚠ MISE EN GARDE : NE VOUS LAISSEZ PAS tromper (au fil d'une utilisation répétée) par un sentiment d'aisance ou de familiarité avec le produit en négligeant les consignes de sécurité qui accompagnent le produit. L'utilisation non sécuritaire ou incorrecte de cet outil comporte un risque de blessure grave.**

## Symboles

Les symboles utilisés pour l'outil sont indiqués ci-dessous.

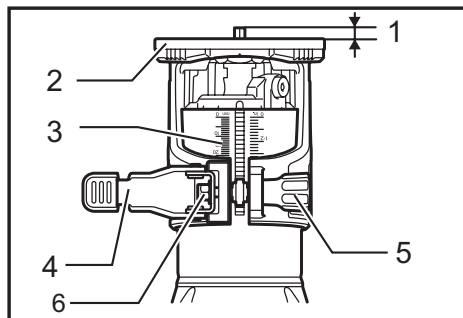
V	volts
A	ampères
Hz	hertz
	courant alternatif
$n_0$	vitesse à vide
	construction, catégorie II
... /min r/min	tours ou alternances par minute

## DESCRIPTION DU FONCTIONNEMENT

### ⚠ ATTENTION :

- Assurez-vous toujours que l'outil est hors tension et débranché avant de l'ajuster ou de vérifier son fonctionnement.

### Ajustage de la fraise



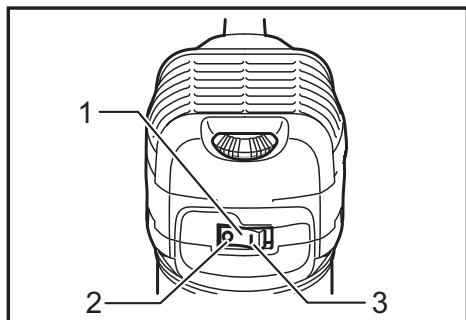
- 1. Partie saillante de la fraise 2. Base de l'outil  
3. Échelle 4. Levier de verrouillage 5. Vis de réglage  
6. Écrou hexagonal

Pour ajuster la fraise, desserrez le levier de verrouillage et déplacez l'embase de l'outil vers le haut ou vers le bas au besoin en tournant la vis de réglage. Une fois le réglage effectué, serrez fermement le levier de verrouillage pour fixer l'embase de l'outil.

### NOTE :

- Si l'outil n'est pas verrouillé malgré le serrage du levier de verrouillage, serrez l'écrou hexagonal puis serrez le levier de verrouillage.

## Interrupteur



► 1. Interrupteur 2. Côté OFF (O) 3. Côté ON (I)

### ⚠ ATTENTION :

- Avant de brancher l'outil, vérifiez toujours que l'outil est hors tension.

Pour mettre l'outil en marche, appuyez sur le côté d'"ON (I)" de l'interrupteur. Pour l'arrêter, appuyez sur le côté d'"OFF (O)" de l'interrupteur.

## Fonction électronique

Les outils dotés de fonctions électroniques sont faciles à utiliser grâce aux caractéristiques suivantes.

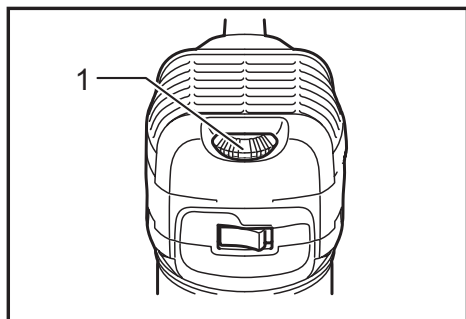
### Commande de vitesse constante

Commande électronique de la vitesse afin d'obtenir une vitesse constante. Permet d'obtenir une finition précise puisque la vitesse de rotation est maintenue constante même dans des conditions de lourde charge.

### Démarrage en douceur

La fonction de démarrage en douceur minimise le choc initial et permet à l'outil de démarrer en douceur.

## Cadran de réglage de vitesse



► 1. Cadran de réglage de la vitesse

Vous pouvez changer la vitesse de l'outil en tournant le cadran de réglage de vitesse sur un réglage de 1 à 6. Si vous tournez le cadran en direction du 6, la vitesse sera plus élevée. Si vous tournez le cadran en direction du 1, la vitesse sera plus faible.

Cela vous permet de sélectionner une vitesse idéale pour traiter le matériau de façon optimale, c'est-à-dire que la vitesse peut être ajustée correctement pour correspondre au matériau et au diamètre de la fraise. Consultez le tableau pour connaître le rapport entre les chiffres du cadran et une approximation de la vitesse de l'outil correspondante.

Numéro	min <sup>-1</sup>
1	10 000
2	12 000
3	17 000
4	22 000
5	27 000
6	30 000

### ⚠ ATTENTION :

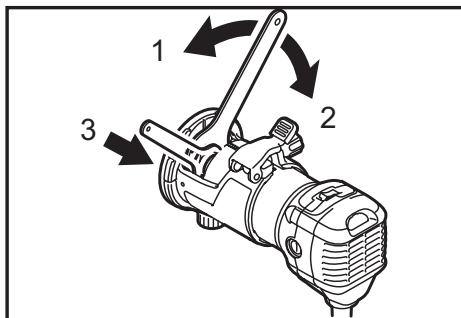
- Si l'outil est utilisé de manière continue à vitesse réduite sur une période prolongée, le moteur sera surchargé et cela entraînera un mauvais fonctionnement de l'outil.
- Le cadran de réglage de la vitesse ne peut pas dépasser le 6 et le 1. Ne le forcez pas à dépasser le 6 ou le 1, sinon la fonction de réglage de la vitesse risque de ne plus fonctionner.

## ASSEMBLAGE

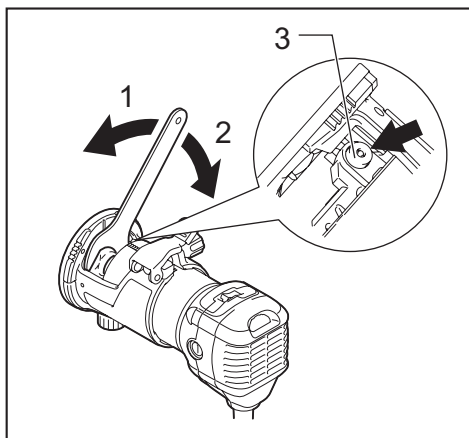
### ⚠ ATTENTION :

- Avant d'effectuer toute intervention sur l'outil, assurez-vous toujours qu'il est hors tension et débranché.

## Pose et dépose de la fraise d'affleurage



► 1. Serrer 2. Desserrer 3. Prise



► 1. Serrer 2. Desserrer 3. Verrouillage de l'arbre

### ATTENTION :

- Ne serrez pas l'écrou de mandrin sans y avoir inséré une fraise, sinon vous risquez de briser le cône de mandrin.
- N'utilisez que les clés fournies avec l'outil.

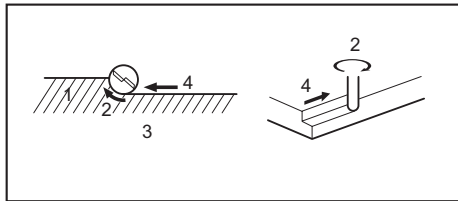
Insérez la fraise jusqu'au fond du collet de mandrin, puis serrez fermement l'écrou de mandrin à l'aide des deux clés ou en appuyant sur le verrouillage de l'arbre et en utilisant la clé fournie.

Pour retirer la fraise, suivez la procédure d'installation en sens inverse.

## UTILISATION

### Pour la base d'affleuseuse

Poser l'embase de l'outil sur la pièce à travailler sans que la fraise touche quoi que ce soit. Mettez ensuite le contact et attendez que la fraise ait atteint sa pleine vitesse. Déplacez l'outil vers l'avant sur la surface de la pièce à travailler, en maintenant l'embase bien à plat et en progressant doucement jusqu'à l'extrémité du tracé. Quand vous faites une coupe sur rebord, la surface de la pièce doit être du côté gauche de la fraise dans le sens de progression de l'outil.



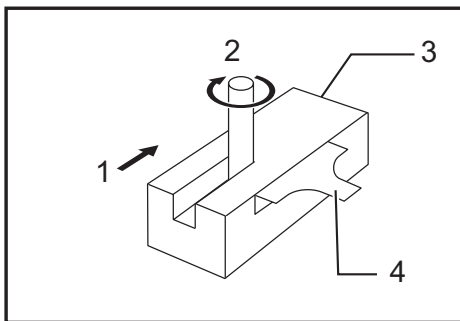
► 1. Pièce 2. Sens de rotation du foret 3. Vu à partir du haut de l'outil 4. Sens d'alimentation

### ATTENTION :

- Une taille trop profonde risque de forcer le moteur ou de rendre difficile le contrôle de l'outil ; quand vous rainez, limitez donc votre profondeur de taille à 3 mm (1/8") par passage. Pour des rainures d'une profondeur supérieure, opérez en plusieurs passages et en approfondissant progressivement.

### NOTE :

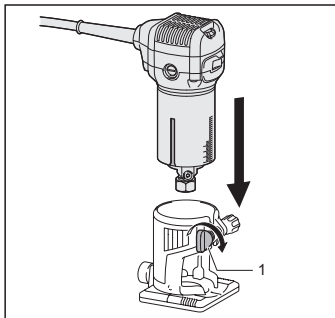
- Si vous déplacez votre outil trop vite vers l'avant, vous risquez d'obtenir une coupe de qualité médiocre et d'endommager la fraise ou le moteur. Si vous allez trop lentement, vous risquez de brûler la pièce et de gâcher la coupe. La vitesse de progression adéquate dépend du calibre de la fraise, de la nature de la pièce et de la profondeur de coupe. Avant de commencer votre coupe sur la pièce, nous vous conseillons de faire un essai sur un morceau de chute de bois. Cela vous montrera exactement l'allure qu'aura votre coupe et vous permettra de vérifier les dimensions.
- Lorsque vous vous servez du support d'affleurement horizontal, du guide de coupe rectiligne ou du guide d'affleurement, veillez à bien l'installer du côté droit de l'outil dans le sens de la progression. Vous pourrez ainsi le maintenir parfaitement en contact avec les côtés de la pièce que vous taillez.



► 1. Sens d'alimentation 2. Sens de rotation du foret 3. Pièce 4. Guide de coupe rectiligne

### Base d'affleuseuse (en résine) (accessoire en option)

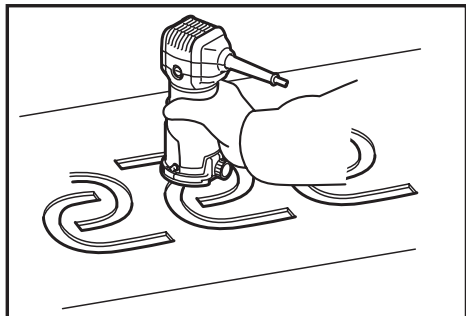
Vous pouvez utiliser la base d'affleuseuse (en résine) comme accessoire en option, tel qu'illustré sur la figure.



► 1. Écrou à ailettes

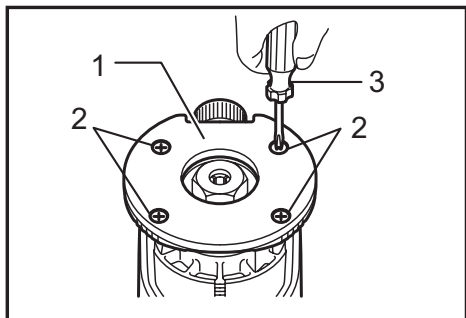
Mettez l'outil sur la base d'affleureuse (en résine) et serrez l'écrou à ailettes sur la partie saillante désirée de l'embout. Pour les procédures d'utilisation, reportez-vous à l'utilisation pour la base d'affleureuse.

## Guide de gabarit (accessoire en option)



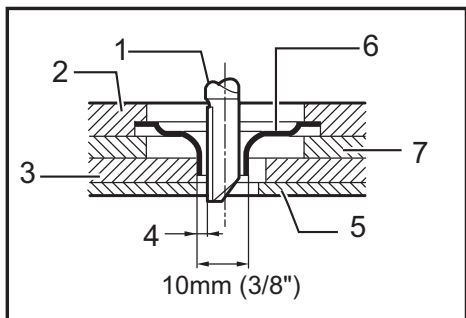
Le guide de gabarit est une courte section de tube traversée par la fraise, ce qui permet d'utiliser l'affleureuse avec des gabarits de modèles.

Desserrez les vis, et retirez la plaque de protection de l'embase. Placez le guide de gabarit sur l'embase et remplacez la plaque de protection. Puis, fixez la plaque de protection avec ses vis.



► 1. Protecteur de base 2. Vis 3. Tournevis

Fixez le gabarit sur la pièce. Placez l'outil sur le gabarit et déplacez-le en faisant glisser le guide de gabarit le long du côté du gabarit.



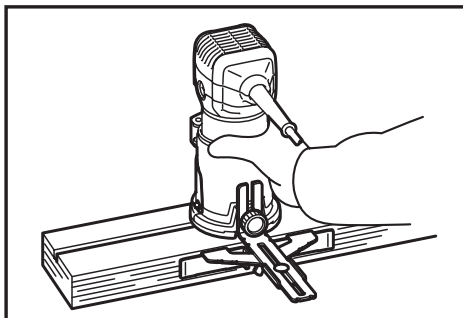
► 1. Foret à denture droite 2. Base 3. Gabarit  
4. Distance (X) 5. Pièce 6. Guide de gabarit 10  
7. Protecteur de base

### NOTE :

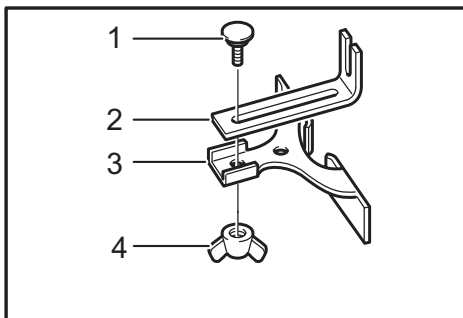
- La pièce à travailler sera taillée selon une dimension légèrement différente de celle du gabarit. Prévoyez donc une distance (X) entre la fraise et l'extérieur du guide de gabarit. Cette distance (X) se calcule selon l'équation :

Distance (X) = diamètre extérieur du guide de gabarit - diamètre de la fraise/2

## Guide de coupe rectiligne (accessoire en option)

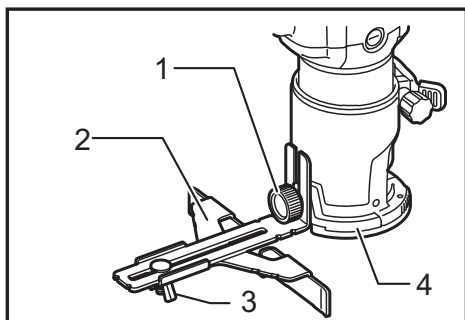


Le guide de coupe rectiligne est efficace pour obtenir des coupes droites quand vous chanfreinez ou rainez. Fixez la butée orientable au guide de coupe rectiligne à l'aide du boulon et de l'écrou à oreilles.



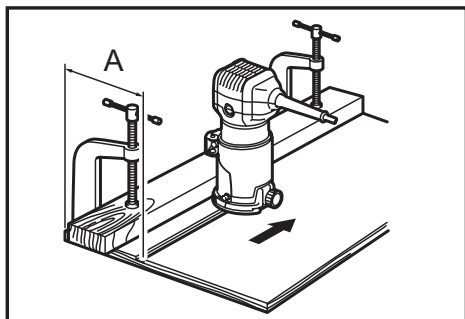
► 1. Boulon 2. Plaque de guidage 3. Guide de coupe rectiligne 4. Écrou à oreilles

Fixez le guide de coupe rectiligne sur l'outil à l'aide de la vis de serrage (A). Desserrez l'écrou à oreilles du guide et réglez la distance entre celui-ci et la fraise. Une fois obtenue la distance désirée, serrez à fond l'écrou à oreilles.



► 1. Vis de serrage (A) 2. Guide de coupe rectiligne  
3. Écrou à oreilles 4. Base

Quand vous coupez, déplacez l'outil en maintenant le guide en appui avec le côté de la pièce à travailler. Si la distance (A) entre le côté de la pièce à travailler et le tracé est trop grande pour le guide de coupe rectiligne, ou si ce même côté n'est pas rectiligne, vous ne pouvez pas utiliser ce guide. En ce cas, fixez solidement, à l'aide de serre-joints, une pièce de bois rectiligne à la pièce à travailler et servez-vous en comme de guide au contact de l'embase de l'affleureuse. Déplacez celle-ci dans la direction de la flèche.



## Tailles circulaires

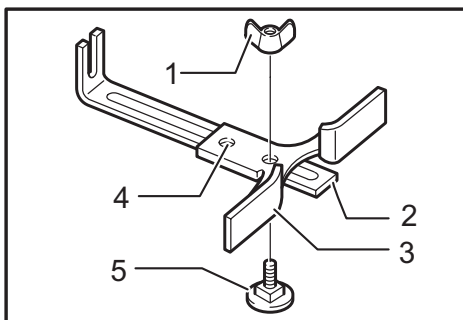
Des tailles circulaires peuvent être réalisées si vous assemblez le guide de coupe rectiligne et la plaque du guide comme sur la figure.

Les rayons min. et max. des tailles circulaires réalisables (les distances entre le centre du cercle et le centre de la fraise) sont les suivants :

Min. : 70 mm (2-3/4")

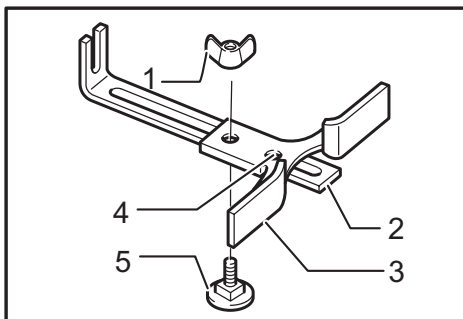
Max. : 221 mm (8-11/16")

Pour la taille de cercles de 70 mm (2-3/4") à 121 mm (4-3/4") de rayon.



► 1. Écrou à oreilles 2. Plaque de guidage 3. Guide de coupe rectiligne 4. Trou de centrage 5. Boulon

Pour la taille de cercles de 121 mm (4-3/4") à 221 mm (8-11/16") de rayon.

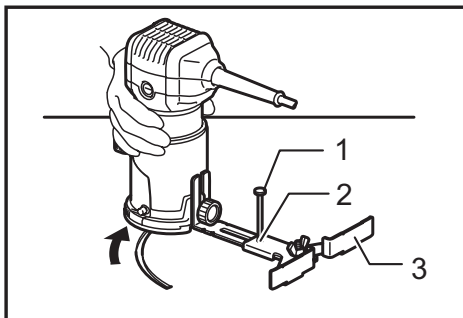


► 1. Écrou à oreilles 2. Plaque de guidage 3. Guide de coupe rectiligne 4. Trou de centrage 5. Boulon

### NOTE :

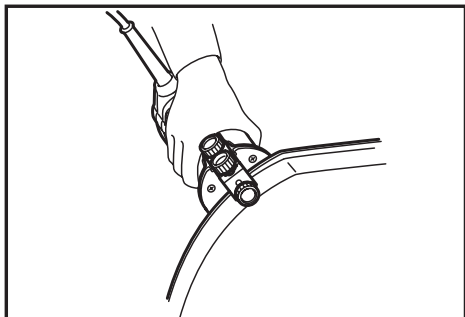
- Les cercles de rayons compris entre 172 mm (6-3/4") et 186 mm (7-5/16") ne peuvent pas être taillés avec ce guide.

Alignez le trou de centrage du guide de coupe rectiligne sur le centre du cercle à tailler. Enfoncez un clou de diamètre inférieur à 6 mm (1/4") dans le trou de centrage pour assurer le guide en place. Faites pivoter l'outil autour du clou en le tournant dans le sens des aiguilles d'une montre.



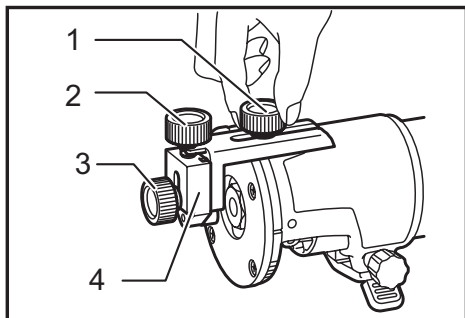
► 1. Clou 2. Trou de centrage 3. Guide de coupe rectiligne

## Guide d'affleurage (accessoire en option)



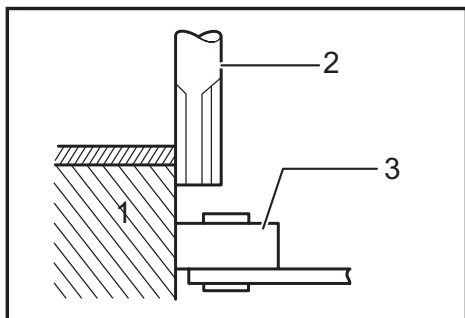
Le guide d'affleurage permet d'effectuer aisément affleurage ou tailles courbes des bois de placage pour mobilier, etc. Le galet du guide suit la courbure et assure une coupe parfaite.

Installez le guide d'affleurage sur l'embase de l'outil avec la vis de serrage (A). Desserrez la vis de serrage (B) et ajustez la distance entre le fraise et le guide d'affleurage en tournant la vis de réglage (1 mm (3/64") par tour). À la distance désirée, serrez la vis de serrage (B) pour fixer le guide d'affleurage en position.



► 1. Vis de réglage 2. Vis de serrage (A) 3. Vis de serrage (B) 4. Guide d'affleurage

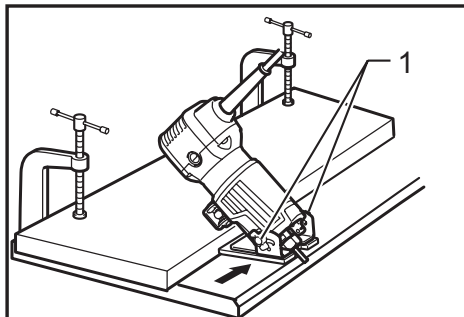
Quand vous coupez, déplacez l'outil avec le galet du guide courant sur le côté de la pièce à travailler.



► 1. Pièce 2. Embout 3. Rouleau-guide

## Base inclinable (accessoire en option)

La base inclinable (accessoire en option) est utile pour chanfreiner. Installez l'outil sur la base inclinable et fermez le levier de verrouillage lorsque la fraise se trouve au niveau souhaité. Pour obtenir l'angle souhaité, serrez les vis de serrage qui se trouvent sur les côtés.

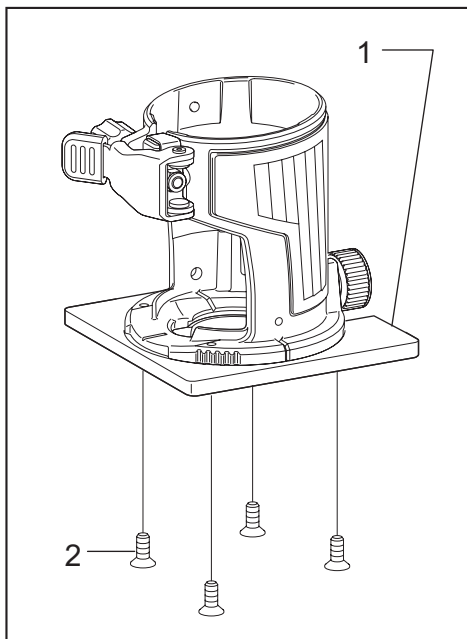


► 1. Vis de serrage

Fixez fermement un panneau droit sur la pièce et utilisez-le comme guide contre la base inclinable. Suivez le sens de la flèche.

## Plaque de protection de l'embase retirée de la base inclinable (accessoire en option)

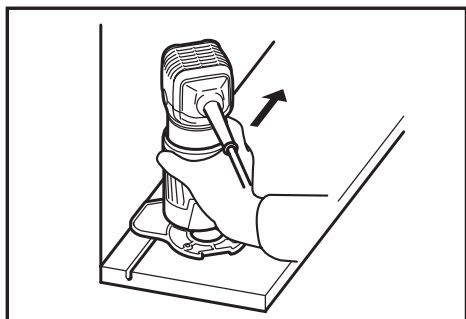
La plaque de protection de l'embase, retirée de la base inclinable et montée sur l'embase de l'affleureuse, permet de changer la base ronde en base carrée. Pour une autre application, retirez la plaque de protection de la base inclinable en desserrant et en retirant les quatre vis.



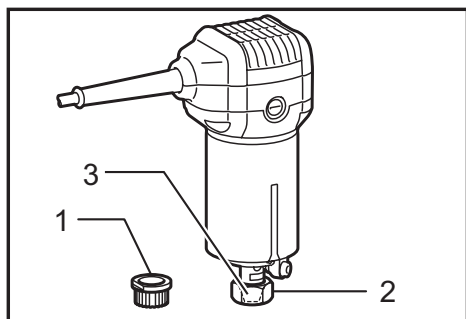
► 1. Protecteur de base 2. Vis

Montez ensuite la plaque de protection de l'embase sur l'embase de l'affleureuse.

## Base déportée (accessoire en option)

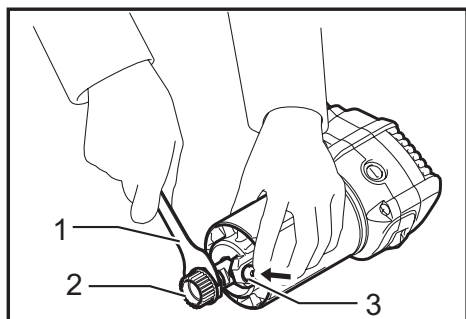


(1) La base déportée (accessoire en option) permet de travailler dans un endroit où l'espace est limité, comme dans un coin.



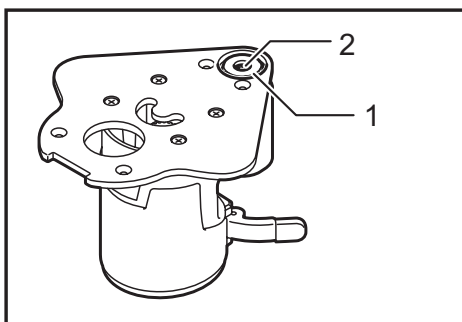
► 1. Poulie 2. Ecrou à collet 3. Cône de la bague de mandrin

Avant d'installer l'outil sur la base déportée, retirez l'écrou de mandrin et le collet de mandrin en desserrant l'écrou de mandrin.



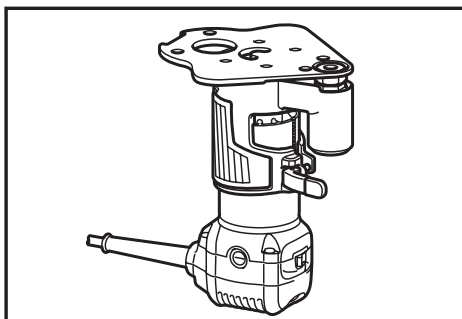
► 1. Clé 2. Poulie 3. Verrouillage de l'arbre

Installez la poulie sur l'outil en appuyant sur le verrouillage de l'arbre et en serrant fermement la poulie à l'aide d'une clé.

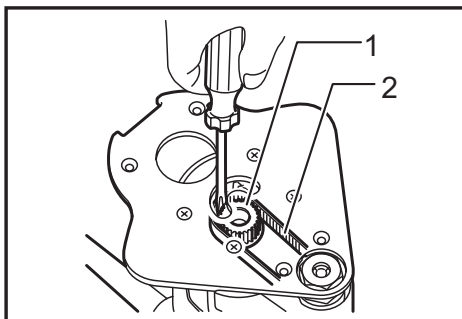


► 1. Ecrou à collet 2. Cône de la bague de mandrin

Placez le collet de mandrin et vissez l'écrou de mandrin sur la base déportée, comme illustré sur la figure.



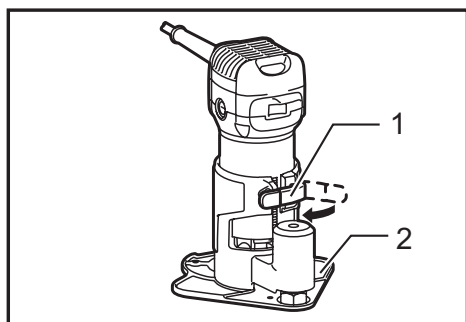
Montez l'outil sur la base déportée



► 1. Poulie 2. Ceinture

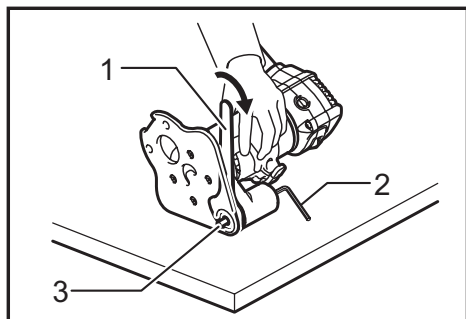
Placez une extrémité de la courroie sur la poulie à l'aide d'un tournevis, en vous assurant que toute la largeur de la courroie couvre toute la poulie.





► 1. Levier de verrouillage 2. Base déportée

Fixez-le à l'aide d'un levier de verrouillage se trouvant sur la base déportée.



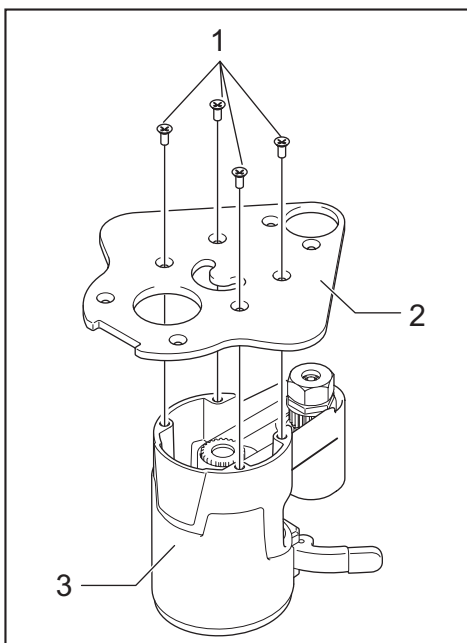
► 1. Clé 2. Clé hexagonale 3. Embout

Pour installer la fraise, couchez l'outil avec la base déportée sur le côté. Insérez la clé hexagonale dans le trou de la base déportée.

En tenant la clé hexagonale dans cette position, insérez la fraise dans le collet de mandrin sur l'arbre de la base déportée à partir du côté opposé, puis serrez fermement l'écrou de mandrin à l'aide d'une clé.

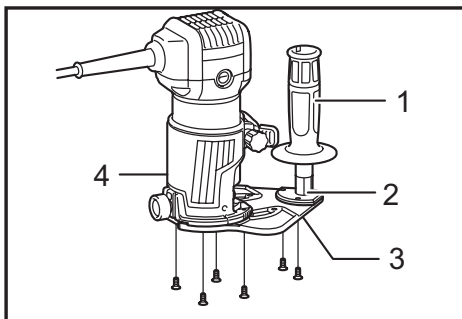
Pour retirer la fraise lors du remplacement, suivez les étapes de l'installation en sens inverse.

- (2) La base déportée (accessoire en option) peut également être utilisée en association avec l'embase d'affleureuse et une fixation de poignée (accessoire en option) pour une meilleure stabilité.



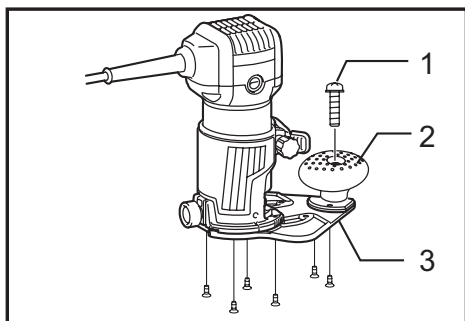
► 1. Vis 2. Plateau de la base déportée 3. Partie supérieure de la base déportée

Desserrez les vis et retirez la section supérieure de la base déportée. Mettez de côté la partie supérieure de la base déportée.



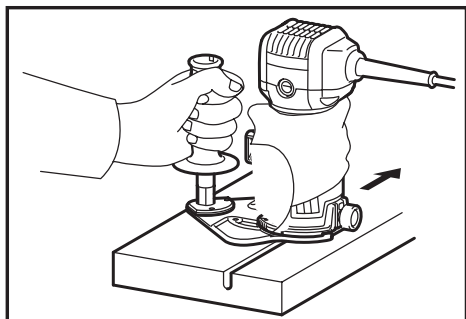
► 1. Tige poignée (accessoire en option) 2. Fixation de poignée (accessoire en option) 3. Plateau de la base déportée 4. Ensemble de l'embase de l'affleureuse (accessoire en option)

Montez l'embase de l'affleureuse à l'aide des quatre vis et la fixation de poignée (accessoire en option) à l'aide de deux vis sur le plateau de la base déportée. Vissez une tige poignée (accessoire en option) sur la fixation de poignée.



► 1. Vis 2. Poignée bouton 3. Plateau de la base déportée

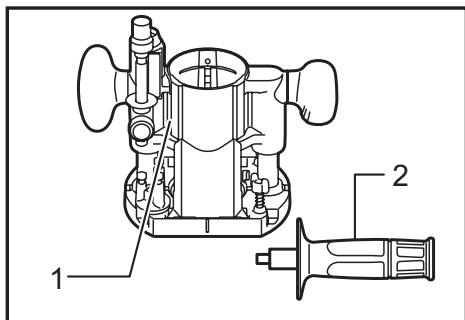
Une autre possibilité consiste à installer la poignée bouton que vous aurez préalablement retirée d'une base plongeante (accessoire en option) sur la fixation de poignée. Pour installer la poignée bouton, placez-la sur la fixation de poignée et fixez-la à l'aide d'une vis.



### Lors de l'utilisation en guise de toupie seulement avec base plongeante (accessoire en option)

#### ⚠ ATTENTION :

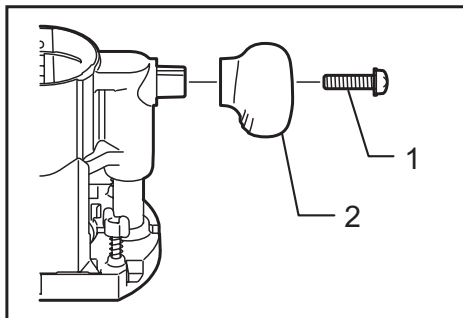
- Lorsque vous utilisez l'outil en guise de toupie, tenez-le fermement à l'aide des deux mains.



► 1. Base plongeante 2. Poignée

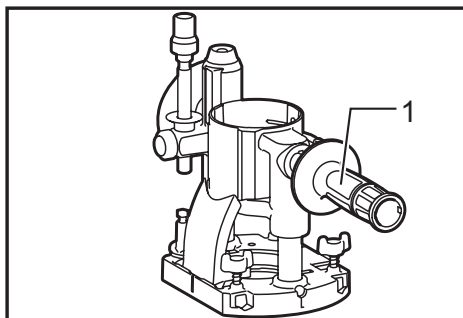
Pour utiliser l'outil en guise de toupie, installez l'outil sur une base plongeante (accessoire en option) en le poussant complètement vers le bas.

Il est possible d'utiliser la poignée bouton ou la tige poignée (accessoire en option), selon le type de travail réalisé.



► 1. Vis 2. Bouton

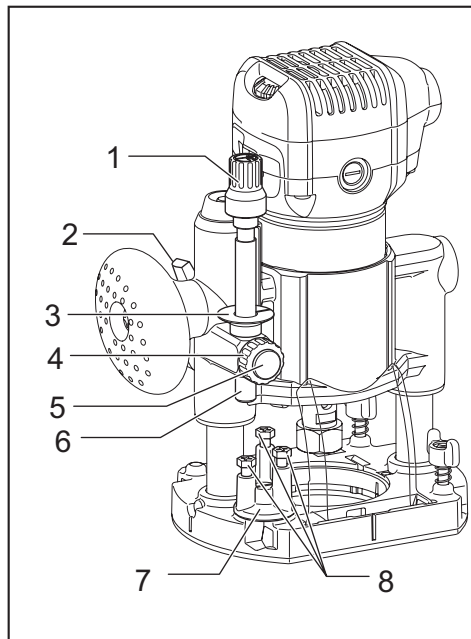
Pour utiliser la tige poignée (accessoire en option), desserrez la vis et retirez la poignée bouton.



► 1. Tige poignée (accessoire en option)

Vissez ensuite la tige poignée sur la base.

## Réglage de la profondeur de coupe lors de l'utilisation de la base plongeante (accessoire en option)



- 1. Bouton de réglage 2. Levier de verrouillage  
3. Index de profondeur 4. Écrou de réglage de la tige d'arrêt 5. Bouton d'alimentation rapide 6. Tige d'arrêt 7. Bloc de butée 8. Boulon de réglage

Posez l'outil sur une surface plane. Relâchez le levier de verrouillage et abaissez le bâti jusqu'à ce que la fraise entre en contact avec la surface plane. Serrez alors le levier de verrouillage pour verrouiller le bâti de l'outil.

Tournez l'écrou de réglage de la tige d'arrêt dans le sens inverse des aiguilles d'une montre. Abaissez la tige d'arrêt jusqu'à ce qu'elle entre en contact avec le boulon de réglage. Alignez l'index de profondeur sur la graduation « 0 ». La profondeur de coupe est indiquée sur l'échelle par l'index de profondeur.

Tout en appuyant sur le bouton d'avance rapide, relevez la tige d'arrêt jusqu'à obtention de la profondeur de coupe souhaitée. Il est possible d'effectuer de petits réglages de profondeur en tournant le bouton de réglage (1 mm par tour).

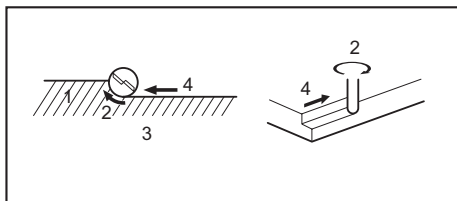
En tournant l'écrou de réglage de la tige d'arrêt dans le sens inverse des aiguilles d'une montre, vous pouvez fixer fermement la tige d'arrêt.

Désormais, pour obtenir votre profondeur de coupe prédéterminée, il vous suffit de relâcher le levier de verrouillage puis d'abaisser le bâti de l'outil jusqu'à ce que la tige d'arrêt entre en contact avec le boulon hexagonal de réglage de la tige d'arrêt.

Tenez toujours fermement l'outil par les deux poignées lors de l'utilisation.

Placez la base de l'outil sur la pièce à couper sans que la fraise ne touche quoi que ce soit. Mettez ensuite l'outil sous tension et attendez que la fraise ait atteint sa pleine vitesse. Abaissez le bâti et faites avancer l'outil sur la pièce, en maintenant la base de l'outil bien en contact avec la pièce et en progressant doucement jusqu'à ce que la coupe soit terminée.

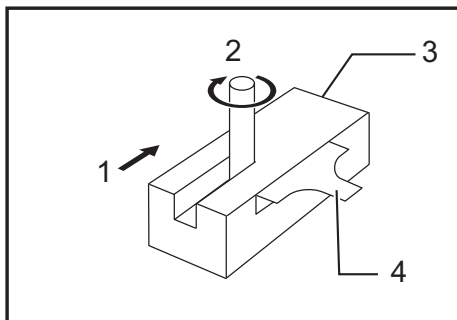
Quand vous faites une coupe sur rebord, la surface de la pièce doit être du côté gauche de la fraise dans le sens de progression de l'outil.



- 1. Pièce 2. Sens de rotation du foret 3. Vu à partir du haut de l'outil 4. Sens d'alimentation

### NOTE :

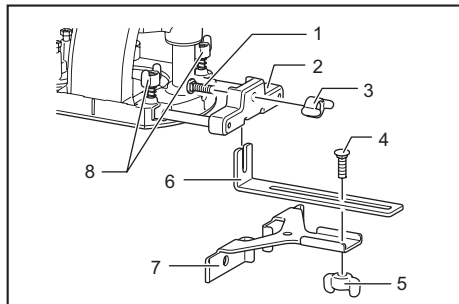
- Si vous déplacez votre outil trop vite vers l'avant, vous risquez d'obtenir une coupe de qualité médiocre et d'endommager la fraise ou le moteur. Si vous allez trop lentement, vous risquez de brûler la pièce et de gâcher la coupe. La vitesse de progression adéquate dépend du calibre de la fraise, de la nature de la pièce et de la profondeur de coupe. Avant de commencer votre coupe sur la pièce, nous vous conseillons de faire un essai sur un morceau de chute de bois. Cela vous montrera exactement l'allure qu'aura votre coupe et vous permettra de vérifier les dimensions.
- Quand vous utilisez le guide de coupe rectiligne, veillez à l'installer du côté droit dans le sens de progression de l'outil. Il sera ainsi plus facile de la garder bien au contact sur le côté de la pièce.



- 1. Sens d'alimentation 2. Sens de rotation du foret  
3. Pièce 4. Guide de coupe rectiligne

## Guide de coupe rectiligne lors de l'utilisation en guise de toupie (requis pour l'utilisation à l'aide d'un support de guide (accessoire en option))

Le guide de coupe rectiligne est efficace pour obtenir des coupes droites quand vous chanfreinez ou rainez.

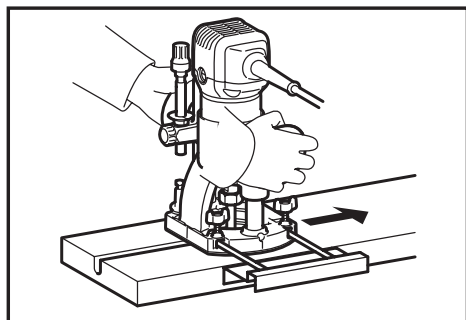


- 1. Boulon 2. Porte-guide 3. Écrou à oreilles 4. Boulon 5. Écrou à oreilles 6. Plaque de guidage 7. Guide de coupe rectiligne 8. Boulons à oreilles

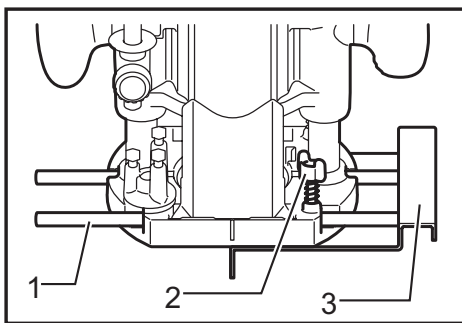
Installez le guide de coupe rectiligne sur le support de guide (accessoire en option) à l'aide de l'écrou à oreilles.

Insérez le support de guide dans les trous de la base plongeante et serrez l'écrou à oreilles. Pour régler la distance entre la fraise et le guide de coupe rectiligne, desserrez l'écrou à oreilles. Une fois la distance désirée obtenue, serrez l'écrou à oreilles pour immobiliser le guide de coupe rectiligne.

## Guide de coupe rectiligne (accessoire en option)

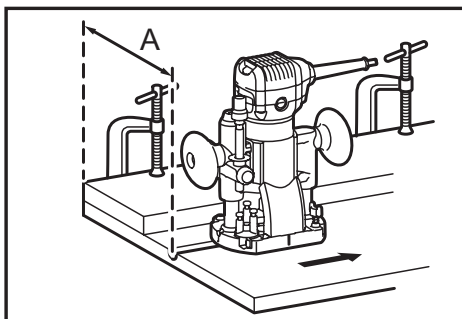


Le guide de coupe rectiligne est efficace pour obtenir des coupes droites quand vous chanfreinez ou rainez.



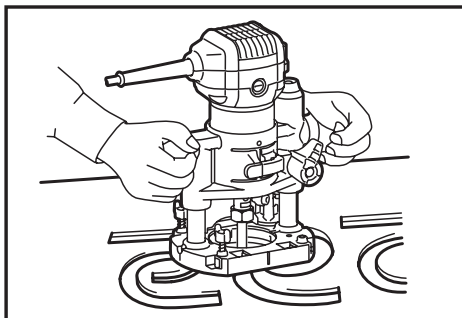
- 1. Guide-chaîne 2. Boulon à oreilles 3. Guide de coupe rectiligne

Pour installer le guide de coupe rectiligne, insérez les tiges guide dans les trous de la base plongeante. Réglez la distance entre la fraise et le guide de coupe rectiligne. Une fois la distance désirée obtenue, serrez l'écrou à oreilles (A) pour immobiliser le guide de coupe rectiligne. Quand vous coupez, déplacez l'outil en maintenant le guide en appui avec le côté de la pièce à travailler.



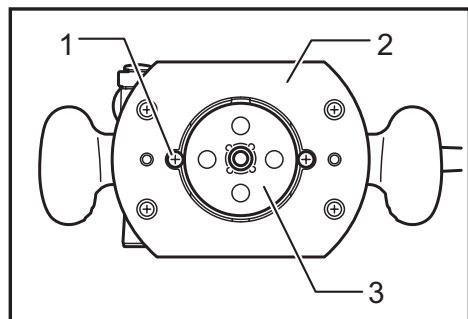
Si la distance (A) entre le bord de la pièce et la position de coupe est trop grande pour le guide de coupe rectiligne, ou encore si le côté de la pièce n'est pas droit, il n'est pas possible d'utiliser le guide de coupe rectiligne. Dans ce cas, fixez fermement un panneau droit sur la pièce et utilisez-le comme guide contre la base de l'outil. Suivez le sens de la flèche.

## Guide de gabarit (accessoire en option)



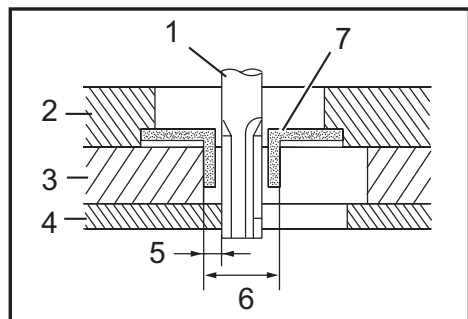
Le guide de gabarit présente un manchon à travers lequel passe la fraise, permettant d'utiliser l'outil pour la reproduction exacte d'un modèle donné.

Pour installer le guide de gabarit, desserrez les vis à tête plate de la base, insérez le guide, puis resserrez les vis.



► 1. Vis 2. Base 3. Gabarit

Fixez le gabarit sur la pièce. Placez l'outil sur le gabarit et déplacez-le en faisant glisser le guide de gabarit le long du côté du gabarit.



► 1. Embout 2. Base 3. Gabarit 4. Pièce 5. Distance (X) 6. Diamètre extérieur du guide de gabarit 7. Guide de gabarit

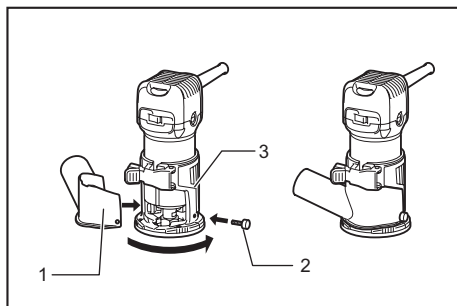
**NOTE :**

- La pièce sera coupée avec une taille légèrement différente du gabarit. Permet d'établir la distance (X) entre la fraise et l'extérieur du guide de gabarit. L'équation suivante permet de calculer la distance (X) :

Distance (X) = (diamètre extérieur du guide de gabarit - diamètre de la fraise) ÷ 2

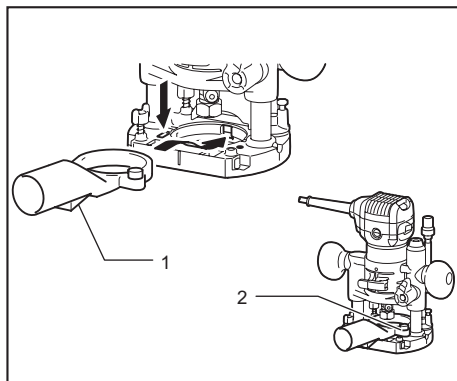
## Raccords d'aspiration (accessoire en option)

### Pour l'embase de l'affleureuse



► 1. Raccord à poussières 2. Vis à oreilles 3. Embase de l'affleureuse

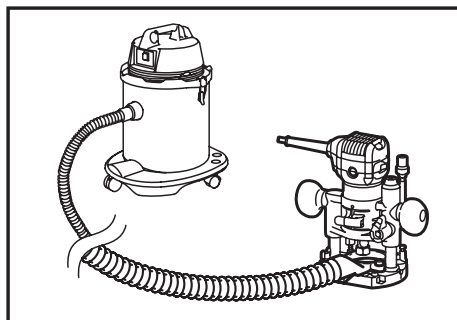
### Pour la base plongeante



► 1. Raccord à poussières 2. Vis à oreilles

Utilisez le raccord d'aspiration pour extraire la poussière. Installez le raccord d'aspiration sur la base de l'outil à l'aide de la vis à serrage à main, de manière à ce que la saillie sur le raccord d'aspiration s'insère dans l'encoche à la base de l'outil.

Branchez ensuite un aspirateur au raccord d'aspiration.

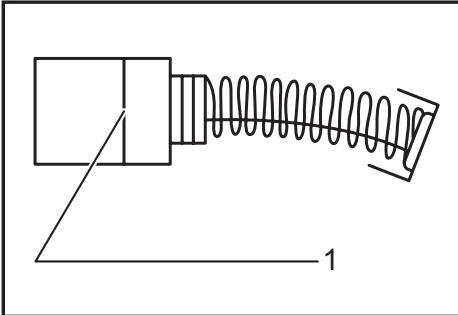


## ENTRETIEN

### ⚠ ATTENTION :

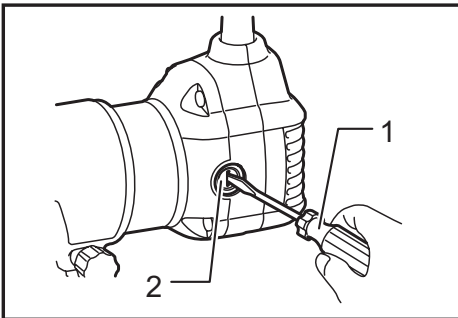
- Assurez-vous toujours que l'outil est hors tension et débranché avant d'y effectuer tout travail d'inspection ou d'entretien.
- N'utilisez jamais d'essence, de benzine, de solvant, d'alcool ou d'autres produits similaires. Une décoloration, une déformation, ou la formation de fissures peuvent en découler.

## Remplacement des charbons



► 1. Trait de limite d'usure

Retirez et vérifiez régulièrement les charbons. Remplacez-les lorsqu'ils sont usés jusqu'au trait de limite d'usure. Maintenez les charbons propres et en état de glisser aisément dans les porte-charbon. Les deux charbons doivent être remplacés en même temps. N'utilisez que des charbons identiques. Utilisez un tournevis pour retirer les bouchons de porte-charbon. Enlevez les charbons usés, insérez-en de nouveaux et revissez solidement les bouchons de porte-charbon.



► 1. Tournevis 2. Bouchon de porte-charbon

Pour maintenir la SÉCURITÉ et la FIABILITÉ du produit, les réparations, tout autre travail d'entretien ou de réglage doivent être effectués dans un centre de service Makita agréé ou un centre de service de l'usine Makita, exclusivement avec des pièces de rechange Makita.

## ACCESSOIRES EN OPTION

### ⚠ ATTENTION :

- Ces accessoires ou pièces complémentaires sont recommandés pour l'utilisation avec l'outil Makita spécifié dans ce mode d'emploi. L'utilisation de tout autre accessoire ou pièce complémentaire peut comporter un risque de blessure. N'utilisez les accessoires ou pièces qu'aux fins auxquelles ils ont été conçus.

Si vous désirez obtenir plus de détails concernant ces accessoires, veuillez contacter le centre de service après-vente Makita le plus près.

- Fraises pour coupes rectilignes et rainures
- Fraises pour rebord
- Fraises pour affleurage de stratifié
- Ensemble de guide de coupe rectiligne
- Ensemble de guide d'affleurage
- Ensemble de l'embase de l'affleureuse
- Ensemble de base d'affleureuse (en résine)
- Ensemble de la base inclinable
- Ensemble de la base plongeante
- Ensemble de la base déportée
- Guide de gabarit
- Cône du mandrin 1/4"
- Cône de mandrin 3/8"
- Clé 13
- Clé 22
- Raccord d'aspiration

### NOTE :

- Certains éléments de la liste peuvent être inclus avec l'outil comme accessoires standard. Ils peuvent varier suivant les pays.

## GARANTIE LIMITÉE MAKITA

Pour les conditions de garantie en vigueur qui s'appliquent à ce produit, veuillez vous reporter à la feuille de garantie en annexe. Si la feuille de garantie en annexe n'est pas disponible, reportez-vous aux détails de la garantie présentés sur le site Web de votre pays, ci-dessous.

États-Unis d'Amérique: [www.makitatools.com](http://www.makitatools.com)  
Canada: [www.makita.ca](http://www.makita.ca)  
Autres pays: [www.makita.com](http://www.makita.com)

## ESPECIFICACIONES

Modelo	RT0700C / RT0701C
Especificaciones eléctricas en México	120 V ~ 6,5 A 50/60 Hz
Diámetro de la pinza de sujeción	6,3mm 9,5mm
Velocidad sin carga (r.p.m.)	10 000 r/min - 30 000 r/min
Longitud total	200 mm (7-7/8")
Peso neto	1,8 (3,9 lbs)

- Debido a nuestro programa continuo de investigación y desarrollo, las especificaciones aquí dadas están sujetas a cambios sin previo aviso.
- Las especificaciones pueden ser diferentes de país a país.
- Peso de acuerdo al procedimiento de EPTA-01/2003

### Advertencias de seguridad generales para herramientas eléctricas

**⚠ADVERTENCIA:** lea todas las advertencias de seguridad e instrucciones. Si no sigue todas las advertencias e instrucciones indicadas a continuación, podrá ocasionar una descarga eléctrica, un incendio y/o lesiones graves.

### Guarde todas las advertencias e instrucciones para su futura referencia.

El término "herramienta eléctrica" se refiere, en todas las advertencias que aparecen a continuación, a su herramienta eléctrica de funcionamiento con conexión a la red eléctrica (con cableado eléctrico) o herramienta eléctrica de funcionamiento a batería (inalámbrica).

#### Seguridad en el área de trabajo

1. **Mantenga el área de trabajo limpia y bien iluminada.** Las áreas oscuras o desordenadas son propensas a accidentes.
2. **No utilice las herramientas eléctricas en atmósferas explosivas, tal como en la presencia de líquidos, gases o polvo inflamables.** Las herramientas eléctricas crean chispas que pueden prender fuego al polvo o los humos.
3. **Mantenga a los niños y curiosos alejados mientras utiliza una herramienta eléctrica.** Las distracciones le pueden hacer perder el control.

#### Seguridad eléctrica

4. **Las clavijas de conexión de las herramientas eléctricas deberán encajar perfectamente en la toma de corriente. No modifique nunca la clavija de conexión de ninguna forma. No utilice ninguna clavija adaptadora con herramientas eléctricas que tengan conexión a tierra (puesta a tierra).** La utilización de clavijas no modificadas y que encajen perfectamente en la toma de corriente reducirá el riesgo de que se produzca una descarga eléctrica.
5. **Evite tocar con el cuerpo superficies conectadas a tierra o puestas a tierra tales como tubos, radiadores, cocinas y refrigeradores.** Si su cuerpo es puesto a tierra o conectado a tierra existirá un mayor riesgo de que sufra una descarga eléctrica.

6. **No exponga las herramientas eléctricas a la lluvia ni a condiciones húmedas.** La entrada de agua en una herramienta eléctrica aumentará el riesgo de que se produzca una descarga eléctrica.
7. **No jale el cable. Nunca utilice el cable para transportar, jalar o desconectar la herramienta eléctrica. Mantenga el cable alejado del calor, aceite, objetos cortantes o piezas móviles.** Los cables dañados o atrapados aumentan el riesgo de sufrir una descarga eléctrica.
8. **Cuando utilice una herramienta eléctrica en exteriores, utilice un cable de extensión apropiado para uso en exteriores.** La utilización de un cable apropiado para uso en exteriores reducirá el riesgo de que se produzca una descarga eléctrica.
9. **Si no es posible evitar usar una herramienta eléctrica en condiciones húmedas, utilice un alimentador protegido con interruptor de circuito de falla en tierra (ICFT).** El uso de un ICFT reduce el riesgo de descarga eléctrica.

#### Seguridad personal

10. **Manténgase alerta, preste atención a lo que está haciendo y utilice su sentido común cuando opere una herramienta eléctrica. No utilice la herramienta eléctrica cuando esté cansado o bajo la influencia de drogas, alcohol o medicamentos.** Un momento de distracción mientras opera la máquina puede dar como resultado heridas personales graves.
11. **Use equipo de protección personal. Póngase siempre protección para los ojos.** El equipo protector tal como máscara contra el polvo, zapatos de seguridad antiderrapantes, casco rígido y protección para oídos utilizado en las condiciones apropiadas reducirá las heridas personales.
12. **Impida el encendido accidental. Asegúrese de que el interruptor esté en la posición de apagado antes de conectar a la alimentación eléctrica y/o de colocar el cartucho de la batería, así como al levantar o cargar la herramienta.** Cargar las herramientas eléctricas con su dedo en el interruptor o conectarlas con el interruptor encendido hace que los accidentes sean propensos.

13. **Retire cualquier llave de ajuste o llave de apriete antes de encender la herramienta.** Una llave de ajuste o llave de apriete que haya sido dejada puesta en una parte giratoria de la herramienta eléctrica podrá resultar en heridas personales.
14. **No utilice la herramienta donde no alcance. Mantenga los pies sobre suelo firme y el equilibrio en todo momento.** Esto permite un mejor control de la herramienta eléctrica en situaciones inesperadas.
15. **Use vestimenta apropiada. No use ropas sueltas ni joyas. Mantenga el cabello, la ropa y los guantes alejados de las partes móviles, ya que pueden ser atrapadas por estas partes en movimiento.**
16. **Si dispone de dispositivos para la conexión de equipos de extracción y recolección de polvo, asegúrese de conectarlos y utilizarlos debidamente.** La utilización de estos dispositivos reduce los riesgos relacionados con el polvo.

#### Mantenimiento y uso de la herramienta eléctrica

17. **No fuerce la herramienta eléctrica. Utilice la herramienta eléctrica correcta para su aplicación.** La herramienta eléctrica adecuada hará un trabajo mejor a la velocidad para la que ha sido fabricada.
18. **No utilice la herramienta eléctrica si el interruptor no la enciende y apaga.** Cualquier herramienta eléctrica que no pueda ser controlada con el interruptor es peligrosa y debe ser reemplazada.
19. **Desconecte la clavija de la fuente de energía y/o la batería de la herramienta eléctrica antes de realizar ajustes, cambiar accesorios o guardar las herramientas eléctricas.** Dichas medidas de seguridad preventivas reducen el riesgo de que la herramienta se inicie accidentalmente.
20. **Guarde la herramienta eléctrica que no use fuera del alcance de los niños y no permita que las personas que no están familiarizadas con ella o con las instrucciones la operen.** Las herramientas eléctricas son peligrosas en manos de personas que no saben operarlas.

21. **Realice el mantenimiento a las herramientas eléctricas. Compruebe que no haya partes móviles desalineadas o estancadas, piezas rotas y cualquier otra condición que pueda afectar al funcionamiento de la herramienta eléctrica. Si la herramienta eléctrica está dañada, haga que se la reparen antes de utilizarla.** Muchos accidentes son ocasionados por herramientas eléctricas con un mal mantenimiento.
22. **Mantenga las herramientas de corte limpias y filosas.** Si recibe un mantenimiento adecuado y tiene los bordes afilados, es probable que la herramienta se atasque menos y sea más fácil controlarla.
23. **Utilice la herramienta eléctrica, así como accesorios, piezas, brocas, etc. de acuerdo con estas instrucciones y de la manera establecida para cada tipo de unidad en particular; tenga en cuenta las condiciones laborales y el trabajo a realizar.** Si utiliza la herramienta eléctrica para realizar operaciones distintas de las indicadas, podrá presentarse una situación peligrosa.

#### Servicio de mantenimiento

24. **Haga que una persona calificada repare la herramienta utilizando sólo piezas de repuesto idénticas.** Esto asegura que se mantenga la seguridad de la herramienta eléctrica.
25. **Siga las instrucciones para la lubricación y cambio de accesorios.**
26. **Mantenga las agarraderas secas, limpias y sin aceite o grasa.**

UTILICE CABLES DE EXTENSIÓN APROPIADOS. Asegúrese de que su cable de extensión esté en buenas condiciones. Cuando utilice un cable de extensión, asegúrese de utilizar uno del calibre suficiente para conducir la corriente que demande el producto. Un cable de calibre inferior ocasionará una caída en la tensión de línea y a su vez en una pérdida de potencia y sobrecalentamiento. La Tabla 1 muestra la medida correcta a utilizar dependiendo de la longitud del cable y el amperaje nominal indicado en la placa de características. Si no está seguro, utilice el siguiente calibre más alto. Cuanto menor sea el número de calibre, más corriente podrá conducir el cable.

Tabla 1. Calibre mínimo para el cable

Amperaje nominal		Volts	Longitud total del cable en metros			
		120V~	7,6 m (25 ft)	15,2 m (50 ft)	30,4 m (100 ft)	45,7 m (150 ft)
		220V~ - 240V~	15,2 m (50 ft)	30,4 m (100 ft)	60,8 m (200 ft)	91,2 m (300 ft)
Más de	No más de	Calibre del cable (AWG)				
0 A	6 A	/	18	16	16	14
6 A	10 A		18	16	14	12
10 A	12 A		16	16	14	12
12 A	16 A		14	12	No se recomienda	





## ADVERTENCIAS DE SEGURIDAD PARA LA RECORTADORA

1. Sujete la herramienta eléctrica sólo a través de las superficies de empuñadura recubiertas con aislamiento, ya que puede que haya contacto de la cuchilla con su propio cable eléctrico. El corte de un cable con corriente hará que la corriente circule por las partes metálicas expuestas de la herramienta eléctrica y podrá electrocutar al operario.
2. Utilice abrazaderas o algún otro modo práctico para asegurar y sujetar la pieza de trabajo a una plataforma estable. Sostener la pieza de trabajo con la mano o contra su cuerpo produce inestabilidad y una posible pérdida de control.
3. Póngase protección para los oídos durante los periodos de operación prolongados.
4. Maneje las brocas con mucho cuidado.
5. Inspeccione la broca cuidadosamente para ver si tiene grietas o daños antes de comenzar la operación. Reemplace la broca inmediatamente si está agrietada o dañada.
6. Evite cortar clavos. Inspeccione y quite todos los clavos de la pieza de trabajo antes de la operación.
7. Sostenga la herramienta con firmeza.
8. Mantenga las manos alejadas de las piezas giratorias.
9. Asegúrese de que la broca no esté haciendo contacto con la pieza de trabajo antes de activar el interruptor.
10. Antes de usar la herramienta en una pieza de trabajo, déjela un rato en funcionamiento. Observe si se producen vibraciones o desequilibrios que pudieran indicar que la broca está mal colocada.
11. Tenga cuidado con la dirección de giro y de avance de la broca.
12. No deje la herramienta en marcha. Tenga en marcha la herramienta solamente cuando la tenga en la mano.
13. Apague siempre la herramienta y espere hasta que la broca se haya parado completamente antes de retirar la herramienta de la pieza de trabajo.
14. No toque la broca inmediatamente después de la operación; estará muy caliente y podrá quemarle la piel.
15. No manche la base de la herramienta con diluyente, gasolina, aceite o por el estilo. Estos productos pueden ocasionar grietas en la base de la herramienta.
16. Use fresas del diámetro de vástago correcto adecuado a la velocidad de la herramienta.
17. Algunos materiales contienen sustancias químicas que pueden ser tóxicas. Tome precauciones para evitar la inhalación de polvo o que éste tenga contacto con la piel. Consulte la información de seguridad del proveedor de los materiales.
18. Siempre utilice el respirador/máscara indicado para protegerse del polvo que corresponda con la aplicación o material con el que trabaje.

**ADVERTENCIA:** NO DEJE que la comodidad o familiaridad con el producto (a base de utilizarlo repetidamente) sustituya la estricta observancia de las normas de seguridad para dicho producto. El MAL USO o el no seguir las normas de seguridad establecidas en este manual de instrucciones puede ocasionar graves lesiones personales.

## Símbolos

A continuación se muestran los símbolos utilizados para la herramienta.

V	volts o voltios
A	amperes
Hz	hertz
	corriente alterna
n <sub>0</sub>	velocidad en vacío o sin carga
	Construcción clase II
.../min r/min	revoluciones o alternaciones por minuto, frecuencia de rotación

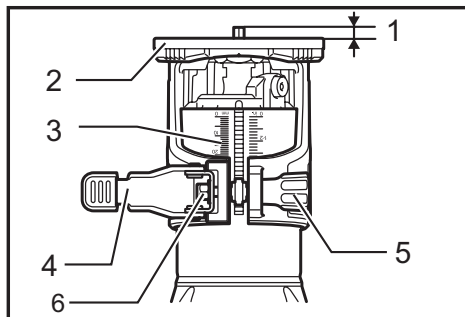
**GUARDE ESTAS INSTRUCCIONES.**

# DESCRIPCIÓN DEL FUNCIONAMIENTO

## ⚠️ PRECAUCIÓN:

- Asegúrese siempre de que la herramienta esté apagada y desconectada antes de ajustar o comprobar cualquier función en la misma.

## Ajuste de la saliente de la fresa



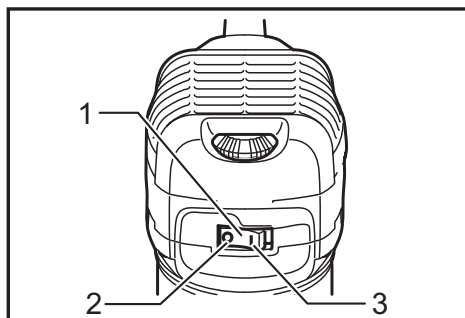
- 1. Saliente de la fresa 2. Base de la herramienta 3. Escala 4. Palanca de bloqueo 5. Tornillo de ajuste 6. Tuerca hexagonal

Para ajustar la saliente de la fresa, afloje la palanca de bloqueo y mueva la base de la herramienta hacia arriba o abajo, según se desee, girando el tornillo de ajuste. Después de ajustar, apriete firmemente la palanca de bloqueo para fijar la base de la herramienta.

## NOTA:

- Si la herramienta no queda fijada aunque se haya apretado la palanca de bloqueo, apriete la tuerca hexagonal y después apriete la palanca de bloqueo.

## Accionamiento del interruptor



- 1. Interruptor 2. Lado que dice "APAGADO (O)" 3. Lado que dice "ENCENDIDO (I)"

## ⚠️ PRECAUCIÓN:

- Antes de conectar la herramienta, compruebe siempre y asegúrese de que esté apagada.

Para encender la herramienta, presione el lado del interruptor que dice "ENCENDIDO (I)". Para apagar la herramienta, presione el lado del interruptor que dice "APAGADO (O)".

## Función electrónica

La herramienta está equipada con funciones electrónicas sencillas de operar debido a las siguientes funcionalidades.

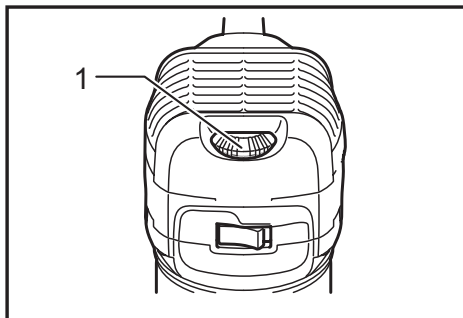
## Control de velocidad constante

Control electrónico de velocidad para obtener una velocidad constante. Es posible obtener un buen acabado, dado que la velocidad de giro se mantiene constante aún en condiciones de carga.

## Encendido suave

La funcionalidad de encendido suave minimiza el impacto de encendido y hace que la herramienta se inicie suavemente.

## Control de ajuste de velocidad



- 1. Control de ajuste de velocidad

La velocidad de la herramienta puede ser modificada al poner el control giratorio de velocidad en un valor numérico dado de 1 a 6.

Se consigue una mayor velocidad cuando el control giratorio está hacia la dirección del número 6; una menor velocidad se consigue cuando se gira hacia la dirección del número 1.

Esto permite que la velocidad ideal sea escogida para un procesamiento óptimo del material, por ejemplo, la velocidad puede ajustarse correctamente para corresponder con el material y el diámetro de la fresa.

Consulte la tabla para la relación entre las configuraciones numéricas del control giratorio y la velocidad aproximada de la herramienta.

Número	min <sup>-1</sup> r/min
1	10 000 r/min
2	12 000 r/min
3	17 000 r/min
4	22 000 r/min
5	27 000 r/min
6	30 000 r/min

### **⚠️ PRECAUCIÓN:**

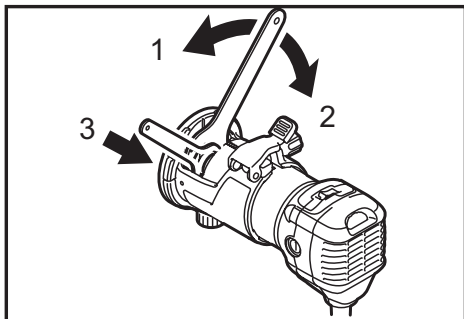
- Si la herramienta es utilizada continuamente a velocidades bajas durante largo tiempo, el motor se sobrecargará resultando en un mal funcionamiento de la herramienta.
- El control de ajuste de velocidad sólo se puede subir hasta 6 y bajar hasta 1. No lo fuerce más allá de estas marcas o de lo contrario la función de ajuste de velocidad podría arruinarse.

## **ENSAMBLE**

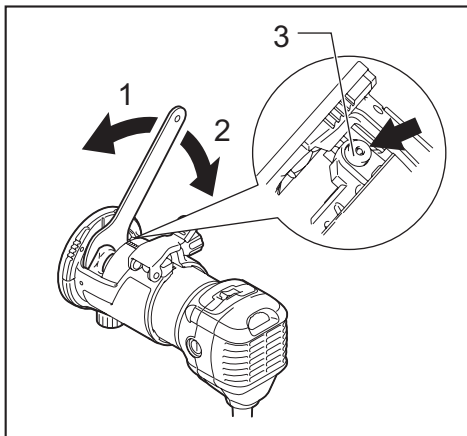
### **⚠️ PRECAUCIÓN:**

- Asegúrese siempre de que la herramienta esté apagada y desconectada antes de realizar cualquier trabajo en la misma.

### **Instalación o desmontaje de fresa de recorte**



- 1. Apretar 2. Aflojar 3. Sujetar



- 1. Apretar 2. Aflojar 3. Bloqueo del eje

### **⚠️ PRECAUCIÓN:**

- No apriete la tuerca de ajuste sin insertar una fresa porque se romperá la tuerca de apriete.
- Utilice únicamente las llaves provistas con la herramienta.

Inserte la fresa hasta el fondo del cono de apriete y apriete la tuerca de ajuste firmemente con las dos llaves, o presionando el cierre del eje y usando la llave provista.

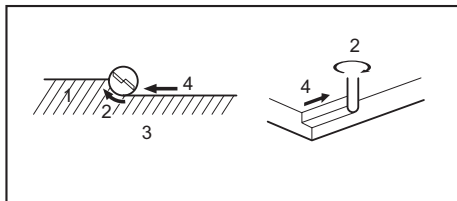
Para retirar la broca, siga el proceso inverso al de instalación.

## **OPERACIÓN**

### **Para la base de la recortadora**

Coloque la base de la herramienta sobre la pieza de trabajo a cortar sin que la fresa la toque. Después encienda la herramienta y espere hasta que la fresa adquiera plena velocidad. Mueva la herramienta hacia delante sobre la superficie de la pieza de trabajo, manteniendo la base de la herramienta a ras y avanzando suavemente hasta completar el corte.

Cuando haga corte de bordes, la superficie de la pieza de trabajo deberá estar en el costado izquierdo de la fresa en la dirección de avance.



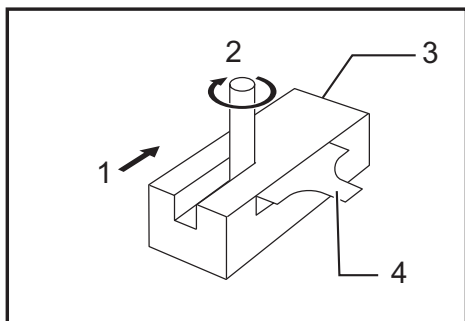
- 1. Pieza de trabajo 2. Dirección de giro de la fresa  
3. Vista desde la parte superior de la herramienta  
4. Dirección de alimentación

### **⚠️ PRECAUCIÓN:**

- Dado que un corte excesivo puede causar sobrecarga al motor o dificultad en controlar la herramienta, la profundidad de corte no deberá ser de más de 3 mm (1/8") por pasada cuando se hagan ranuras. Cuando quiera hacer ranuras de más de 3 mm (1/8") de profundidad, haga varios pases aumentando la profundidad progresivamente.

### **NOTA:**

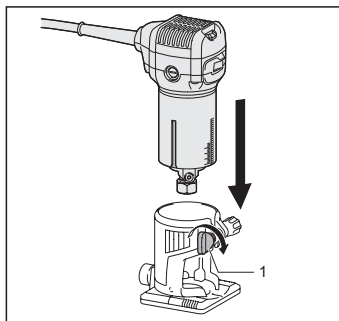
- Si mueve la herramienta hacia delante muy de prisa podrá ocasionar un corte de mala calidad, o dañar la fresa o el motor. Si mueve la herramienta hacia delante muy despacio podrá quemar y arruinar el corte. La velocidad de avance apropiada dependerá del tamaño de la fresa, el tipo de pieza de trabajo y la profundidad de corte. Antes de comenzar el corte en la pieza de trabajo real, se aconseja hacer un corte de prueba en una pieza de madera de desecho. Esto mostrará exactamente cómo será el corte y también le permitirá comprobar las dimensiones.
- Cuando utilice la zapata de recorte, la guía recta o la guía de recorte, asegúrese de mantenerlas en el costado derecho de la dirección de avance. Esto ayudará a mantenerla a ras con el costado de la pieza de trabajo.



► 1. Dirección de alimentación 2. Dirección de giro de la fresa 3. Pieza de trabajo 4. Guía recta

### Base de la recortadora (resina) (accesorio opcional)

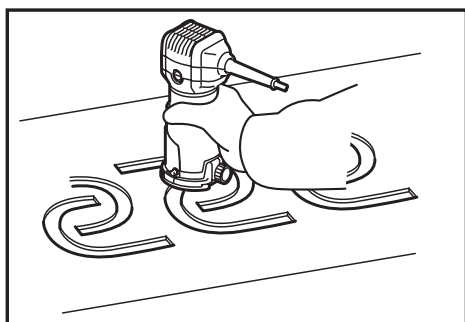
Puede usar la base de la recortadora (resina) como un accesorio opcional, según se muestra en la figura.



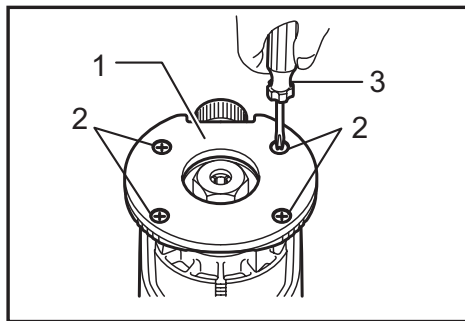
► 1. Tuerca de pulgar

Coloque la herramienta sobre la base de la recortadora (resina) y apriete la tuerca de pulgar para fijar la fresa en la posición deseada. Para información sobre los procedimientos de operación, consulte la sección de la operación para la base de la recortadora.

### Guía de plantilla (accesorio opcional)

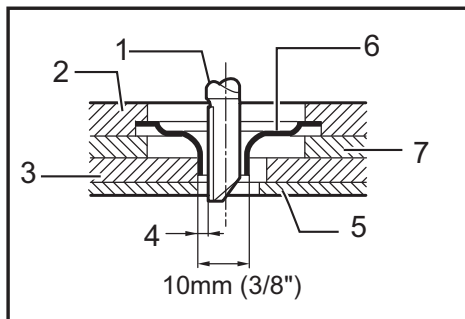


La guía de plantilla contiene un casquillo a través del cual pasa la fresa, permitiendo utilizar la recortadora con patrones de plantilla. Afloje los tornillos y quite el protector de la base. Ponga la guía de plantilla en la base y vuelva a poner el protector de la base. Después sujete el protector de la base apretando los tornillos.



► 1. Protector de la base 2. Tornillos 3. Destornillador

Sujete la plantilla en la pieza de trabajo. Ponga la herramienta sobre la plantilla y mueva la herramienta deslizando la guía de plantilla a lo largo del costado de la plantilla.



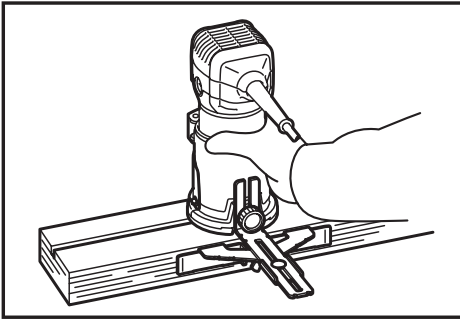
► 1. Broca recta 2. Base 3. Plantilla 4. Distancia (X) 5. Pieza de trabajo 6. Guía de plantilla 10 7. Protector de la base

**NOTA:**

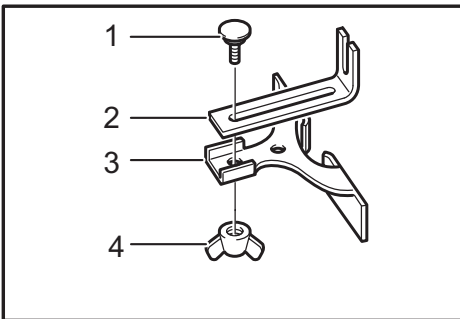
- La pieza de trabajo será cortada con un tamaño ligeramente diferente al de la plantilla. Tenga en cuenta la distancia (X) entre la fresa y el exterior de la guía de plantilla. La distancia (X) se puede calcular utilizando la siguiente ecuación:

Distancia (X) = (diámetro exterior de la guía de plantilla - diámetro de la fresa) / 2

## Guía recta (accesorio opcional)

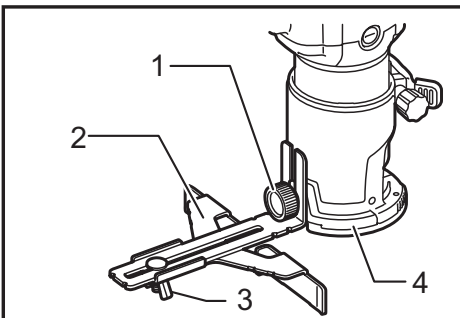


La guía recta resulta útil para realizar cortes rectos cuando se hacen biselés o ranuras. Coloque la placa guía en la guía recta con el perno y la tuerca de mariposa.



► 1. Perno 2. Placa guía 3. Guía recta 4. Tuerca de mariposa

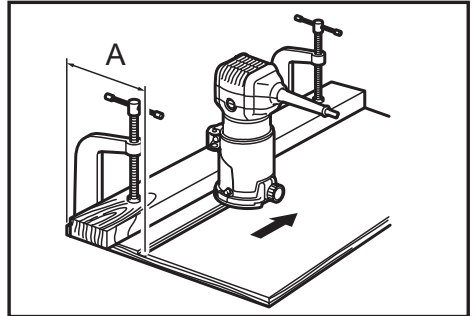
Coloque la guía recta con el tornillo de apriete (A). Afloje la tuerca de mariposa de la guía recta y ajuste la distancia entre la fresa y la guía recta. En la distancia deseada, apriete la tuerca de mariposa firmemente.



► 1. Tornillo de sujeción (A) 2. Guía recta 3. Tuerca de mariposa 4. Base

Cuando corte, mueva la herramienta con la guía recta a ras del costado de la pieza de trabajo.

Si la distancia (A) entre el costado de la pieza de trabajo y la posición de corte es muy ancha para la guía recta, o si el costado de la pieza de trabajo no es recto, no podrá utilizarse la guía recta. En este caso, sujete firmemente una tabla recta a la pieza de trabajo y utilícela como guía contra la base de la recortadora. Avance la herramienta en el sentido de la flecha.



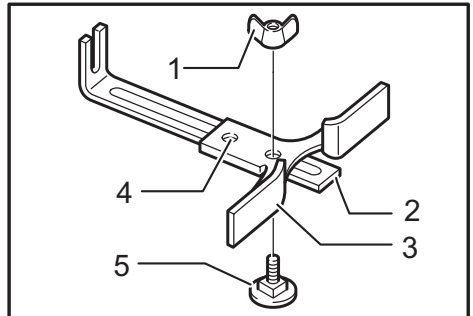
## Corte circular

El corte circular lo podrá realizar si ensambla la guía recta y la placa guía como se muestra en las figuras. Los radios mínimos y máximos de los círculos a cortar (distancia entre el centro del círculo y el centro de la fresa) son los siguientes:

Mín.: 70 mm (2-3/4")

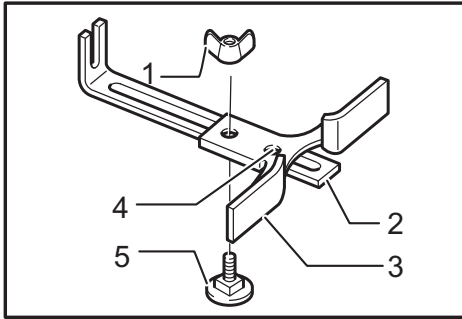
Máx.: 221 mm (8-11/16")

Para cortar círculos entre 70 mm (2-3/4") y 121 mm (4-3/4") de radio.



► 1. Tuerca de mariposa 2. Placa guía 3. Guía recta 4. Orificio central 5. Perno

Para cortar círculos entre 121 mm (4-3/4") y 221 mm (8-11/16") de radio.

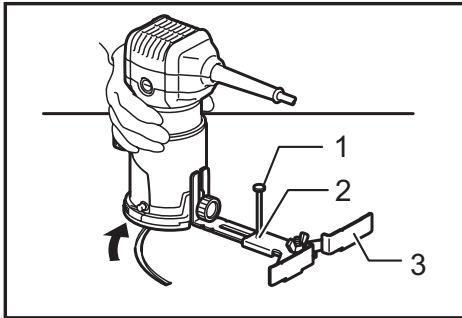


► 1. Tuerca de mariposa 2. Placa guía 3. Guía recta 4. Orificio central 5. Perno

**NOTA:**

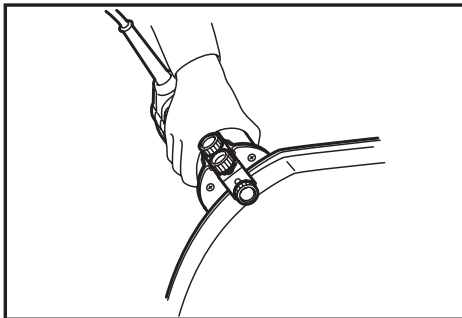
- Con esta guía no se pueden cortar círculos de entre 172 mm (6-3/4") y 186 mm (7-5/16") de radio.

Alinee el centro del orificio en la guía recta con el centro del círculo a ser cortado. Inserte un clavo de menos de 6mm (1/4") de diámetro en el centro del orificio para fijar la guía recta. Gire la herramienta sobre el eje del clavo en dirección a las manecillas del reloj.



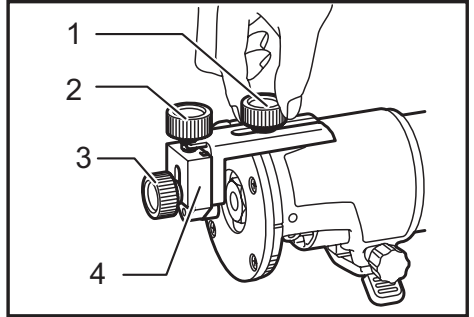
► 1. Clavo 2. Orificio central 3. Guía recta

**Guía de recorte (accesorio opcional)**



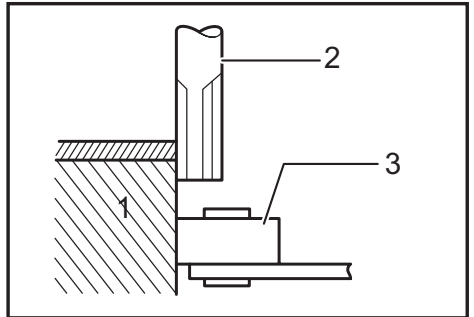
Con la guía de recorte se podrán hacer fácilmente recortes, cortes curvados en chapas para muebles y otros cortes por el estilo. El rodillo guía sigue la curva y asegura un corte fino.

Instale la guía de recorte en la base de la herramienta con el tornillo de apriete (A). Afloje el tornillo de apriete (B) y ajuste la distancia entre la fresa y la guía de recorte girando el tornillo de ajuste (1 mm (3/64") por vuelta). En la distancia deseada, apriete el tornillo de apriete (B) para sujetar la guía de recorte en su sitio.



► 1. Tornillo de sujeción (A) 2. Tornillo de ajuste 3. Tornillo de sujeción (B) 4. Guía de recorte

Cuando corte, mueva la herramienta desplazando el rodillo guía por el costado de la pieza de trabajo.

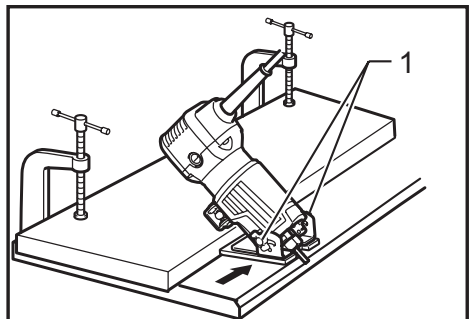


► 1. Pieza de trabajo 2. Punta de atornillar 3. Balero guía

**Base de inclinación (accesorio opcional)**

La base de inclinación (accesorio opcional) es conveniente para hacer biseseles.

Coloque la herramienta en la base de inclinación y cierre la palanca de bloqueo en la saliente deseada de la fresa. Para lograr el ángulo deseado, apriete los tornillos de sujeción a los lados.



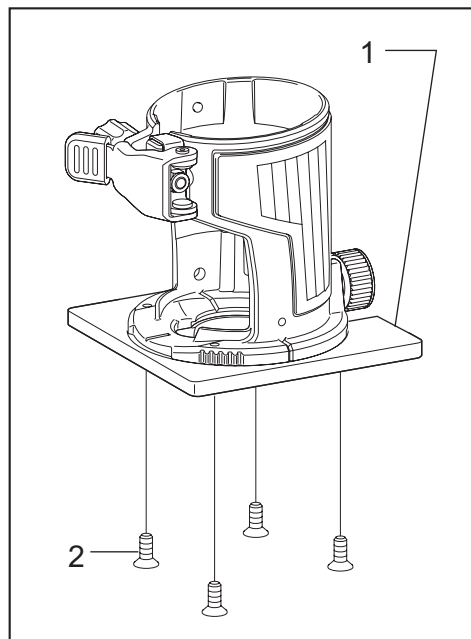
► 1. Tornillos de fijación

Sujete firmemente un tablero recto a la pieza de trabajo con la abrazadera y úselo como una guía contra la base de inclinación. Alimente la herramienta hacia la dirección de la flecha.

## Protector de base retirado de la base de inclinación (accesorio opcional)

El montaje del protector de base que se ha retirado de la base de inclinación en la base de la recortadora permite cambiar la base de la recortadora, de base redonda a base cuadrada.

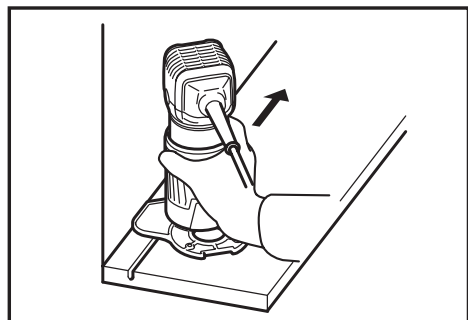
Para otra aplicación, retire el protector de base de la base de inclinación aflojando y retirando cuatro pernos.



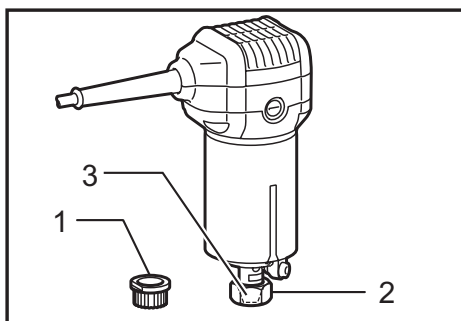
► 1. Protector de la base 2. Tornillo

A continuación, monte el protector de base en la base de la recortadora.

## Base descentrada (accesorio opcional)

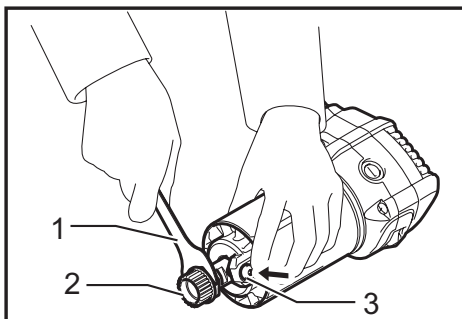


(1) La base descentrada (accesorio opcional) es conveniente para trabajar en áreas estrechas, como las esquinas.



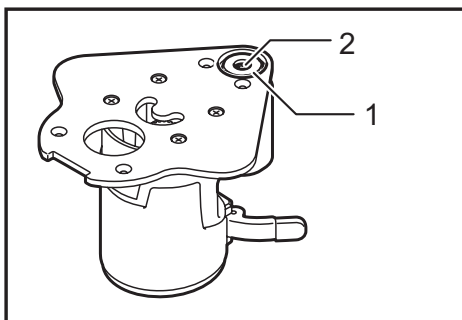
► 1. Polea 2. Tuerca 3. Cono de apriete

Antes de instalar la herramienta en la base descentrada, retire la tuerca de ajuste y el cono de apriete aflojando la tuerca de ajuste.



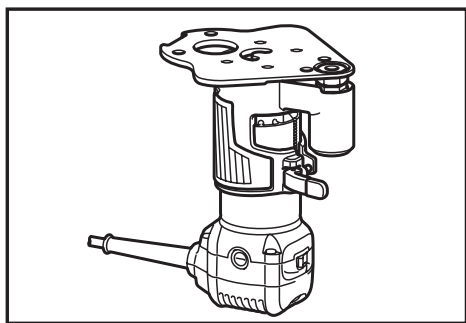
► 1. Llave 2. Polea 3. Bloqueo del eje

Instale la polea en la herramienta presionando el bloqueo del eje y apretando firmemente la polea con una llave.

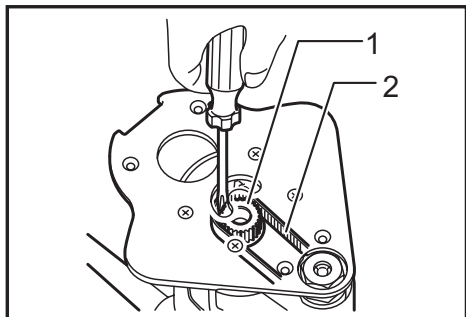


► 1. Tuerca 2. Cono de apriete

Coloque el cono de apriete y enrosque la tuerca de ajuste en la base descentrada como se muestra en la figura.

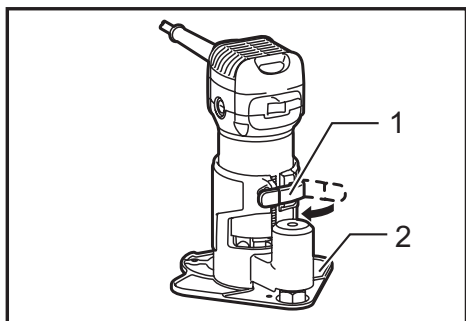


Monte la herramienta en la base descentrada



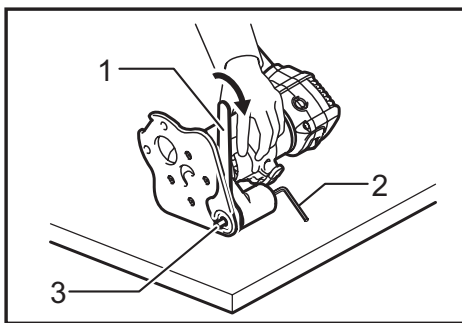
► 1. Polea 2. Correa

Coloque un extremo de la correa sobre la polea con un destornillador y asegúrese de que todo el ancho de la correa quede sobre la polea completamente.



► 1. Palanca de bloqueo 2. Base descentrada

Fijela con una palanca de bloqueo en la base descentrada.



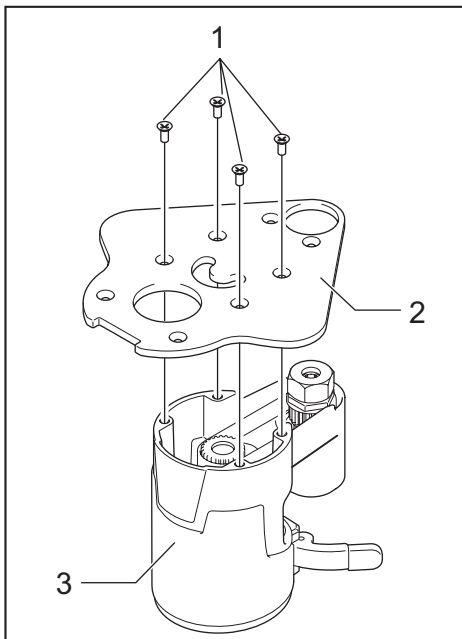
► 1. Llave 2. Llave hexagonal 3. Punta de atornillar

Para instalar la fresa, gire la herramienta para dejar la base descentrada de lado. Inserte la llave hexagonal en el orificio de la base descentrada.

Con la llave hexagonal en esa posición, inserte la fresa en el cono de apriete del eje de la base descentrada desde el lado opuesto y apriete la tuerca de ajuste firmemente con una llave.

Para retirar la fresa al reemplazarla, siga el procedimiento de instalación a la inversa.

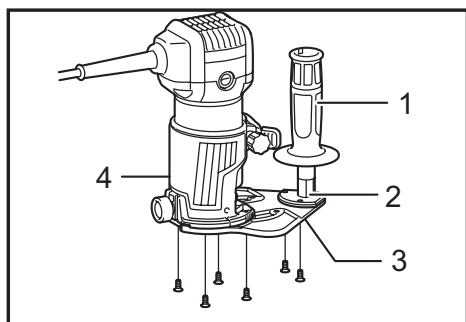
- (2) La base descentrada (accesorio opcional) también se puede usar con una base de recortadora y un aditamento de empuñadura (accesorio opcional), para mayor estabilidad.



► 1. Tornillos 2. Placa de base descentrada  
3. Sección superior de la base descentrada

Afije los tornillos y retire la sección superior desde la base descentrada. Deje a un lado la sección superior de la base descentrada.

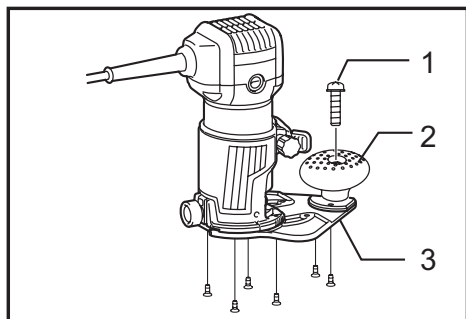




- 1. Empuñadura tipo barra (accesorio opcional)  
 2. Aditamento de empuñadura (accesorio opcional)  
 3. Placa de base descentrada 4. Conjunto de la base de la recortadora (accesorio opcional)

Monte la base de la recortadora con cuatro tornillos y el aditamento de empuñadura (accesorio opcional) con dos tornillos en la placa de base descentrada.

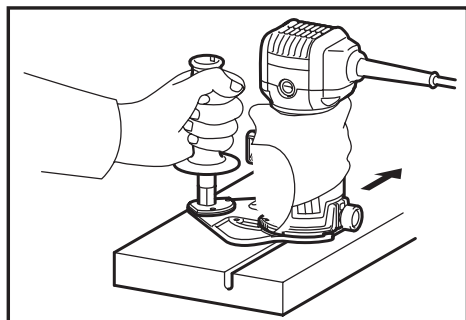
Atornille una empuñadura tipo barra (accesorio opcional) en el aditamento de empuñadura.



- 1. Tornillo 2. Empuñadura tipo perilla 3. Placa de base descentrada

En otra forma de uso, la empuñadura tipo perilla que se retira de una base de penetración (accesorio opcional) se puede instalar en el aditamento de empuñadura.

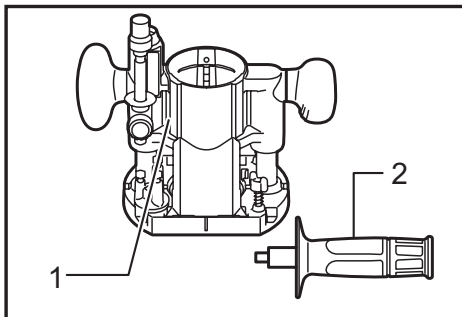
Para instalar la empuñadura tipo perilla, colóquela en el aditamento de empuñadura y fíjela con un tornillo.



## Quando se usa como rebajadora sólo con una base de penetración (accesorio opcional)

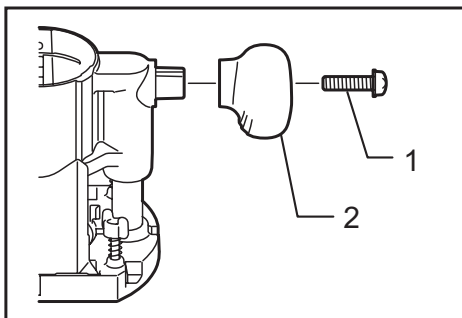
### ⚠ PRECAUCIÓN:

- Cuando se usa como rebajadora, sujete firmemente la herramienta con ambas manos.



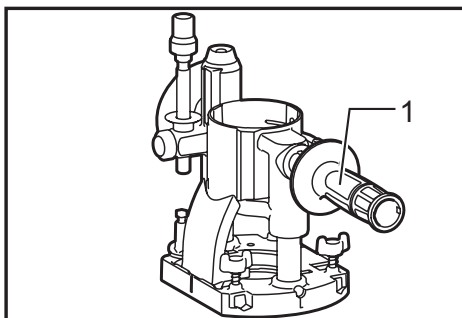
- 1. Base de penetración 2. Empuñadura

Para usar la herramienta como rebajadora, instale la herramienta en una base de penetración (accesorio opcional) presionándola completamente hasta abajo. Se puede usar ya sea una empuñadura tipo perilla o empuñadura tipo barra (accesorio opcional) según su trabajo.



- 1. Tornillo 2. Perilla

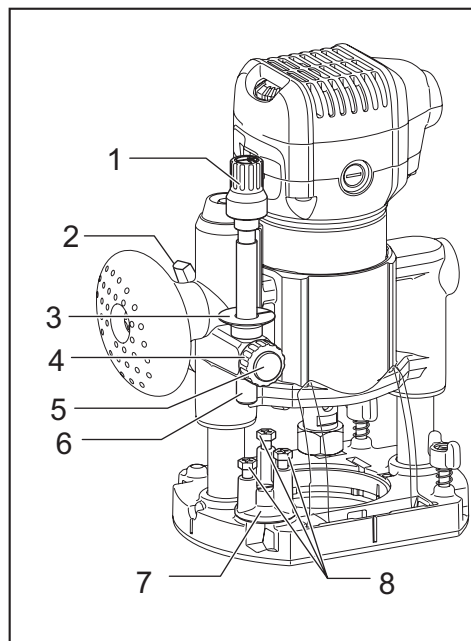
Para usar la empuñadura tipo barra (accesorio opcional), afloje el tornillo y retire la empuñadura tipo perilla.



- 1. Empuñadura tipo barra (accesorio opcional)

A continuación, atornille la empuñadura tipo barra en la base.

## Ajuste de la profundidad de corte al usar la base de penetración (accesorio opcional)



- 1. Perilla de ajuste 2. Palanca de bloqueo  
3. Apuntador de profundidad 4. Tuerca de ajuste de la vara de tope 5. Botón de avance rápido 6. Tope de profundidad 7. Bloque de tope 8. Perno de ajuste

Coloque la herramienta en una superficie plana. Afloje la palanca de bloqueo y baje el cuerpo de la herramienta hasta que la fresa toque la superficie plana. Apriete la palanca de bloqueo para bloquear el cuerpo de la herramienta.

Gire la tuerca de ajuste de la vara de tope hacia la izquierda. Baje la vara de tope hasta que haga contacto con el perno de ajuste. Alinee el apuntador de profundidad con graduación "0" (cero). La profundidad de corte se indica en la báscula mediante el apuntador de profundidad.

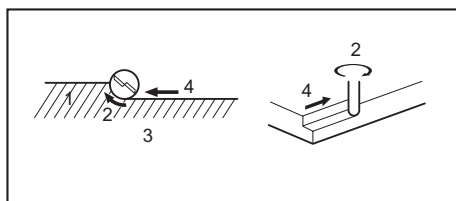
Mientras se presiona el botón de alimentación rápida, levante la vara de tope hasta obtener la profundidad de corte deseada. Se pueden obtener ajustes de profundidad diminutos girando la perilla de ajuste (1 mm por giro).

Al girar la tuerca de ajuste de la vara de tope hacia la derecha, se puede apretar firmemente la vara de tope. Ahora, su profundidad predeterminada de corte se puede obtener aflojando la palanca de bloqueo y, luego, bajando el cuerpo de la herramienta hasta que la vara de tope haga contacto con el perno hexagonal de ajuste del bloqueo de tope.

Siempre sujete firmemente la herramienta por ambas empuñaduras durante la operación.

Coloque la base de la herramienta sobre la pieza de trabajo a cortar sin que la fresa la toque. Después encienda la herramienta y espere hasta que la fresa adquiera plena velocidad. Baje el cuerpo de la herramienta y mueva la herramienta hacia delante sobre la superficie de la pieza de trabajo.

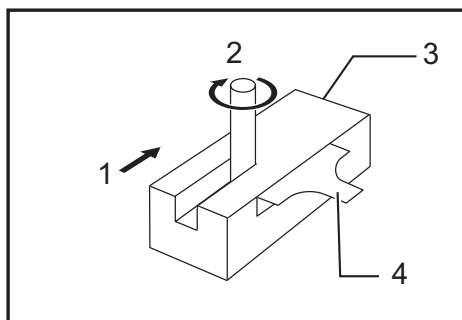
Cuando haga corte de bordes, la superficie de la pieza de trabajo deberá estar en el costado izquierdo de la fresa en la dirección de avance.



- 1. Pieza de trabajo 2. Dirección de giro de la fresa  
3. Vista desde la parte superior de la herramienta  
4. Dirección de alimentación

### NOTA:

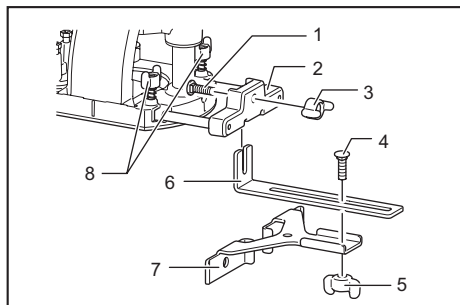
- Si mueve la herramienta hacia delante muy de prisa podrá ocasionar un corte de mala calidad, o dañar la fresa o el motor. Si mueve la herramienta hacia delante muy despacio podrá quemar y arruinar el corte. La velocidad de avance apropiada dependerá del tamaño de la fresa, el tipo de pieza de trabajo y la profundidad de corte. Antes de comenzar el corte en la pieza de trabajo real, se aconseja hacer un corte de prueba en una pieza de madera de desecho. Esto mostrará exactamente cómo será el corte y también le permitirá comprobar las dimensiones.
- Cuando use la guía recta, asegúrese de instalarla sobre el lado correcto en la dirección del alimentador. Esto ayudará a mantenerla a ras con el costado de la pieza de trabajo.



- 1. Dirección de alimentación 2. Dirección de giro de la fresa 3. Pieza de trabajo 4. Guía recta

## Guía recta cuando se usa como rebajadora (necesaria para su uso con sujetador de la guía (accesorio opcional))

La guía recta resulta útil para realizar cortes rectos cuando se hacen biselés o ranuras.

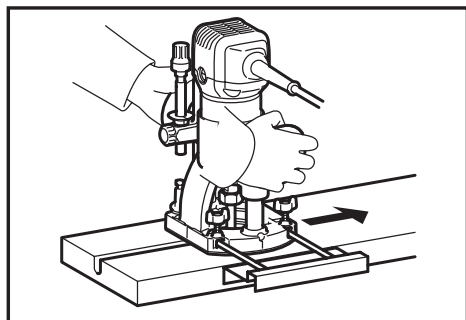


► 1. Perno 2. Portaguía 3. Tuerca de mariposa 4. Perno 5. Tuerca de mariposa 6. Placa guía 7. Guía recta 8. Pernos de mariposa

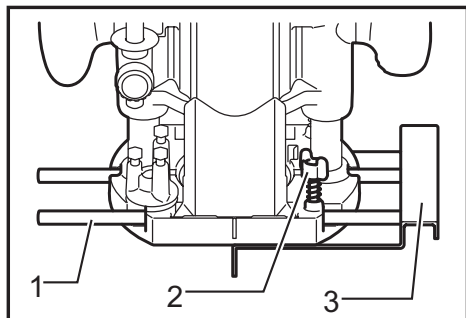
Instale la guía recta en el sujetador de la guía (accesorio opcional) con la tuerca de mariposa.

Inserte el sujetador de la guía en los orificios de la base de penetración y apriete los pernos de mariposa. Para ajustar la distancia entre una fresa y la guía recta, afloje la tuerca de mariposa. En la distancia deseada, apriete la tuerca de mariposa para fijar la guía recta en su lugar.

## Guía recta (accesorio opcional)

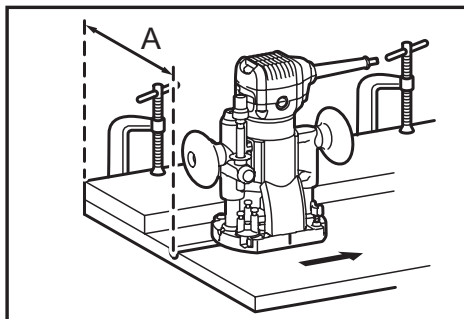


La guía recta resulta útil para realizar cortes rectos cuando se hacen biselés o ranuras.



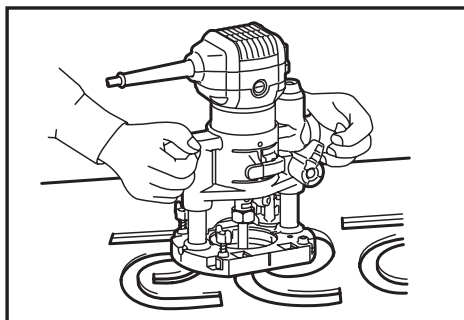
► 1. Barra de guía 2. Tornillo de mariposa 3. Guía recta

Para instalar la guía recta, inserte las barras de guía en los orificios de la base de buzamiento. Ajuste la distancia entre la fresa y la guía recta. En la distancia deseada, apriete los pernos de orejetas para fijar la guía recta en su lugar. Cuando corte, mueva la herramienta con la guía recta a ras del costado de la pieza de trabajo.



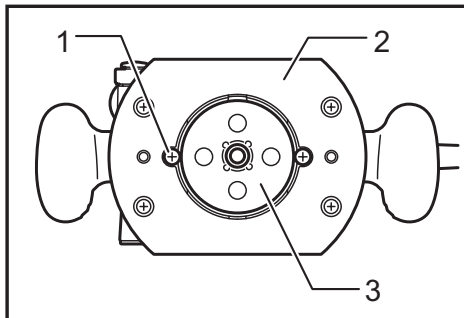
Si la distancia (A) entre el costado de la pieza de trabajo y la posición de corte es muy ancha para la guía recta, o si el costado de la pieza de trabajo no es recto, la guía recta no puede usarse. En este caso, sujete un tablero recto a la pieza de trabajo con la abrazadera y úselo como una guía contra la base de la rebajadora. Alimente la herramienta hacia la dirección de la flecha.

## Guía de plantilla (accesorio opcional)



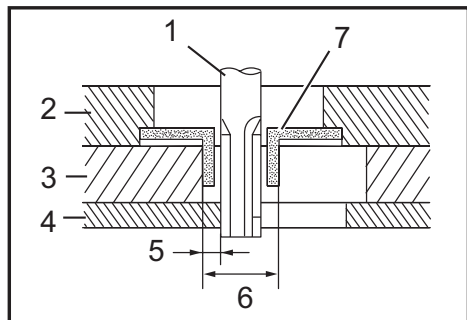
La guía de plantilla proporciona un manguito a través del que pasa la fresa.

Para instalar la guía de plantilla



► 1. Tornillo 2. Base 3. Plantilla

Sujete la plantilla en la pieza de trabajo. Ponga la herramienta sobre la plantilla y mueva la herramienta deslizando la guía de plantilla a lo largo del costado de la plantilla.



- 1. Punta de atornillar 2. Base 3. Plantilla 4. Pieza de trabajo 5. Distancia (X) 6. Diámetro exterior de la guía de plantilla 7. Guía de plantilla

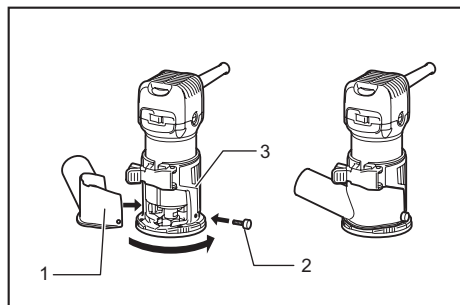
#### NOTA:

- La pieza de trabajo será cortada con un tamaño ligeramente diferente al de la plantilla. Tenga en cuenta la distancia (X) entre la fresa y el exterior de la guía de plantilla. La distancia (X) se puede calcular utilizando la siguiente ecuación:

Distancia (X) = (diámetro exterior de la guía de plantilla - diámetro de la fresa) / 2

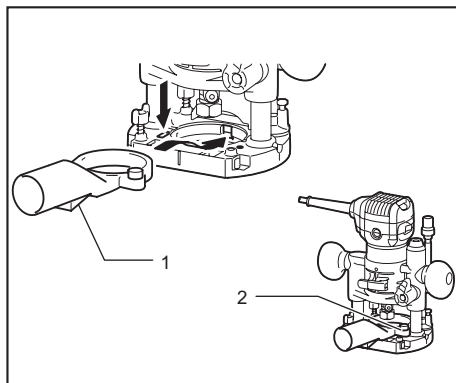
### Juegos de boquilla para polvo (accesorio opcional)

#### Para la base de la recortadora



- 1. Boquilla para polvo 2. Tornillo de mariposa 3. Base de la recortadora

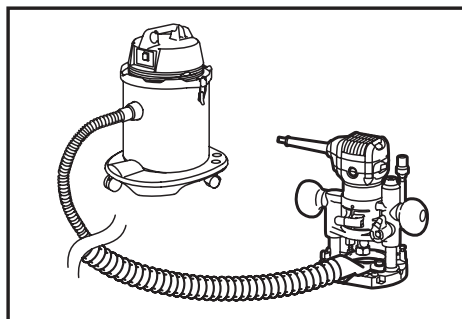
#### Para base de penetración



- 1. Boquilla para polvo 2. Tornillo de mariposa

Use la boquilla para polvo para la extracción del polvo. Coloque la boquilla para polvo en la base de la herramienta usando el tornillo manual de tal forma que la protuberancia de la boquilla para polvo encaje en el orificio en la base de la herramienta.

Luego conecte una aspiradora a la boquilla para polvo.

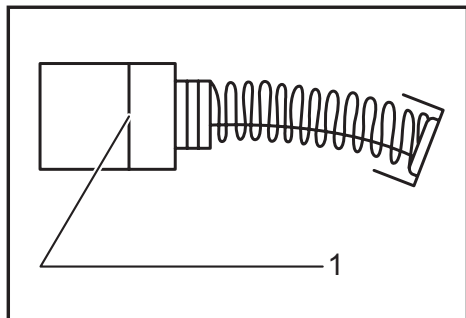


## MANTENIMIENTO

#### ⚠PRECAUCIÓN:

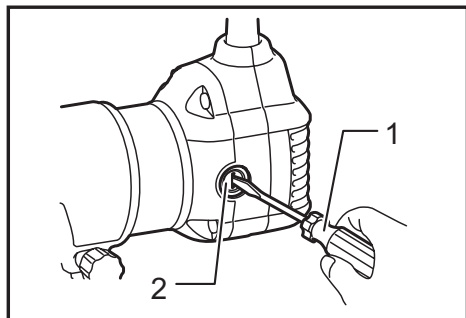
- Asegúrese siempre que la herramienta esté apagada y desconectada antes de intentar realizar una inspección o mantenimiento.
- Nunca use gasolina, bencina, diluyente (tíner), alcohol o sustancias similares. Puede que esto ocasione grietas o descoloramiento.

## Reemplazamiento de las escobillas de carbón



► 1. Marca límite

Extraiga e inspeccione de forma periódica las escobillas de carbón. Sustitúyalas cuando se hayan gastado hasta la marca límite. Mantenga las escobillas de carbón limpias de forma que entren libremente en los portaescobillas. Ambas escobillas de carbón deberán ser sustituidas al mismo tiempo. Utilice únicamente escobillas de carbón originales e idénticas. Utilice un destornillador para quitar las tapas de los portaescobillas. Extraiga las escobillas gastadas, inserte las nuevas y vuelva a colocar las tapas.



► 1. Destornillador 2. Tapa del carbón

Para mantener la **SEGURIDAD** y **FIABILIDAD** del producto, las reparaciones, y cualquier otra tarea de mantenimiento o ajuste deberán ser realizadas en Centros de Servicio Autorizados por Makita, empleando siempre repuestos Makita.

## ACCESORIOS OPCIONALES

### ⚠PRECAUCIÓN:

- Estos accesorios o aditamentos (incluidos o no) están recomendados para utilizar con su herramienta Makita especificada en este manual. El empleo de cualesquiera otros accesorios o acoplamientos conllevará un riesgo de sufrir heridas personales. Utilice los accesorios o acoplamientos solamente para su fin establecido.

Si necesita cualquier ayuda para más detalles en relación con estos accesorios, pregunte a su centro de servicio Makita local.

- Fresas rectas y de formación de ranuras
- Fresas de formación de bordes
- Fresas de recorte de laminados
- Conjunto de guía recta
- Conjunto de guía de recorte
- Conjunto de la base de la recortadora
- Conjunto de la base de la recortadora (resina)
- Conjunto de la base de inclinación
- Conjunto de la base de penetración
- Conjunto de la base descentrada
- Guía de plantilla
- Cono de apriete 6,35 mm
- Cono de apriete 9,5 mm
- Llave del 13
- Llave 22
- Juego de boquilla para polvo

### NOTA:

- Algunos de los artículos en la lista puede que vengan junto con el paquete de la herramienta como accesorios incluidos. Puede que estos accesorios varíen de país a país.

## GARANTÍA LIMITADA DE MAKITA

### Ésta Garantía no aplica para México

Consulte la hoja de la garantía anexa para ver los términos más vigentes de la garantía aplicable a este producto. En caso de no disponer de esta hoja de garantía anexa, consulte los detalles sobre la garantía descritos en el sitio web de su país respectivo indicado a continuación.

Estados Unidos de América: [www.makitatools.com](http://www.makitatools.com)

Canadá: [www.makita.ca](http://www.makita.ca)

Otros países: [www.makita.com](http://www.makita.com)





< USA only >

# WARNING

Some dust created by power sanding, sawing, grinding, drilling, and other construction activities contains chemicals known to the State of California to cause cancer, birth defects or other reproductive harm. Some examples of these chemicals are:

- lead from lead-based paints,
- crystalline silica from bricks and cement and other masonry products, and
- arsenic and chromium from chemically-treated lumber.

Your risk from these exposures varies, depending on how often you do this type of work. To reduce your exposure to these chemicals: work in a well ventilated area, and work with approved safety equipment, such as those dust masks that are specially designed to filter out microscopic particles.

< Sólo en los Estados Unidos >

# ADVERTENCIA

Algunos polvos creados por el lijado, aserrado, esmerilado, taladrado y otras actividades de la construcción contienen sustancias químicas reconocidas por el Estado de California como causantes de cáncer, defectos de nacimiento y otros peligros de reproducción. Algunos ejemplos de estos productos químicos son:

- plomo de pinturas a base de plomo,
- sílice cristalino de ladrillos y cemento y otros productos de albañilería, y
- arsénico y cromo de maderas tratadas químicamente.

El riesgo al que se expone varía, dependiendo de la frecuencia con la que realice este tipo de trabajo. Para reducir la exposición a estos productos químicos: trabaje en un área bien ventilada y póngase el equipo de seguridad indicado, tal como las máscaras contra polvo que están especialmente diseñadas para filtrar partículas microscópicas.

**Makita Corporation**

3-11-8, Sumiyoshi-cho,  
Anjo, Aichi 446-8502 Japan

[www.makita.com](http://www.makita.com)

885025B938  
RT0700C-1  
EN, FRCA, ESMX  
20190315